

## Features

- 7.4 SPECint95, 6.1 SPECfp95 @ 300 MHz (estimated)
- Superscalar (3 instructions per clock peak)
- Dual 16 KB Caches
- Selectable Bus Clock
- 32-bit Compatibility PowerPC Implementation
- On Chip Debug Support
- $P_D$  typical = 3.5 Watts (266 MHz), Full Operating Conditions
- Nap, Doze and Sleep Modes for Power Savings
- Branch Folding
- 64-bit Data Bus (32-bit Data Bus Option)
- 4G byte Direct Addressing Range
- Pipelined Single/double Precision Float Unit
- IEEE 754 Compatible FPU
- IEEE P 1149-1 Test Mode (JTAG/C0P)
- $f_{int}$  max = 300 MHz
- $f_{bus}$  max = 75 MHz
- Compatible CMOS Input / TTL Output

## Screening / Quality / Packaging

This product is manufactured in full compliance with:

- CI-CGA 255: MIL-STD-883 class Q or According to ATMEL-Grenoble standards
- CBGA 255: Upscreenings based upon ATMEL-Grenoble standards
- Full Military Temperature Range ( $T_c = -55^\circ\text{C}$ ,  $T_c = +125^\circ\text{C}$ )  
Industrial Temperature Range ( $T_c = -40^\circ\text{C}$ ,  $T_c = +110^\circ\text{C}$ )
- Internal // I/O Power Supply =  $2.5 \pm 5\%$  //  $3.3\text{V} \pm 5\%$
- 255 Pin CBGA Package and 255 Pin CBGA with SCI (CI-CGA) Package

## Description

The PID7t-603e implementation of PowerPC603e (after named 603r) is a low-power implementation of reduced instruction set computer (RISC) microprocessors PowerPC™ family. The 603r implements 32-bit effective addresses, integer data types of 8, 16 and 32 bits, and floating-point data types of 32 and 64 bits.

The 603r is a low-power 2.5/3.3-volt design and provides four software controllable power-saving modes.

The 603r is a superscalar processor capable of issuing and retiring as many as three instructions per clock. Instructions can execute out of order for increased performance; however, the 603r makes completion appear sequential. The 603r integrates five execution units and is able to execute five instructions in parallel.

The 603r provides independent on-chip, 16K byte, four-way set-associative, physically addressed caches for instructions and data and on-chip instruction and data memory management units (MMUs). The MMUs contain 64-entry, two-way set-associative, data and instruction translation look aside buffers that provide support for demand-paged virtual memory address translation and variable-sized block translation.

The 603r has a selectable 32 or 64-bit data bus and a 32-bit address bus. The 603r interface protocol allows multiple masters to compete for system resources through a central external arbiter. The 603r supports single-beat and burst data transfers for memory accesses, and supports memory-mapped I/O.



# PowerPC 603e™ RISC Microprocessor Family PID7t-603e Specification

## TSPC603R



The 603r uses an advanced, 2.5/3.3V CMOS process technology and maintains full interface compatibility with TTL devices.

The 603r integrates in system testability and debugging features through JTAG boundary-scan capability.

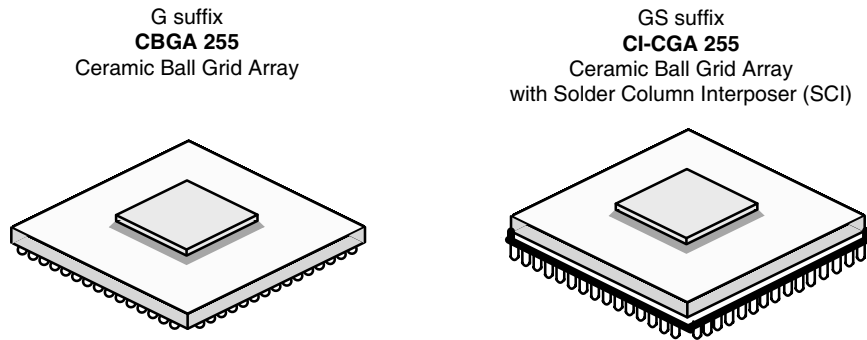
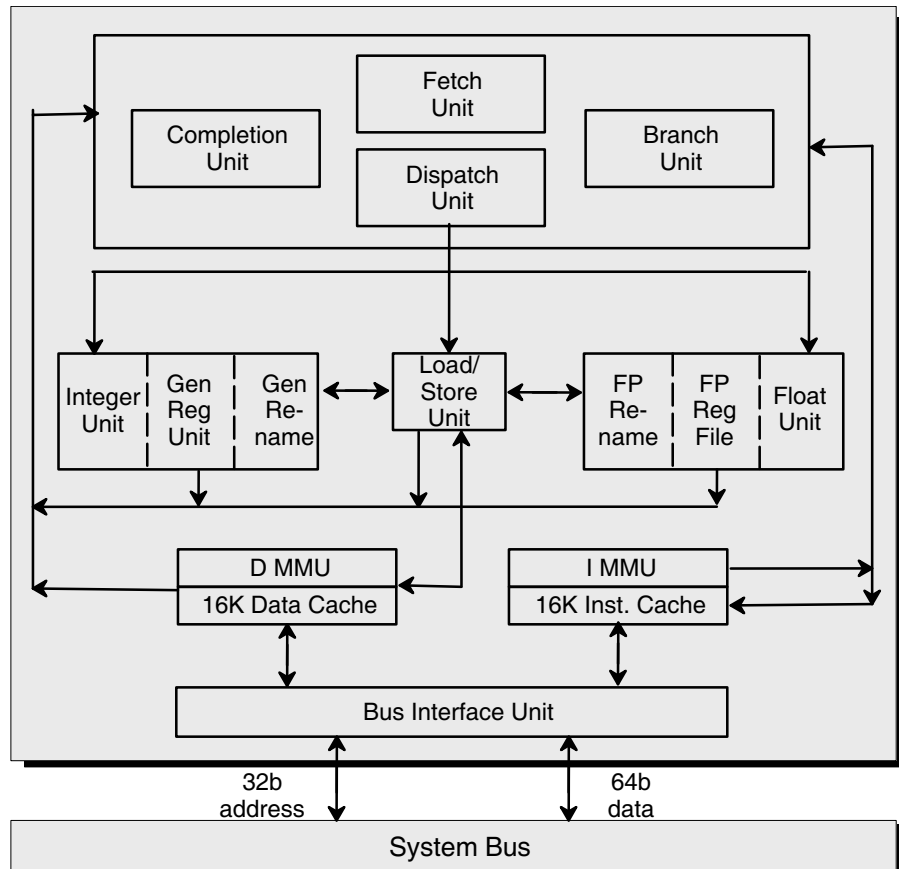


Figure 1. Block Diagram

## General Description



## Introduction

The 603r is a low-power implementation of the PowerPC microprocessor family of reduced instruction set computer (RISC) microprocessors. The 603r implements the 32-bit portion of the PowerPC architecture, which provides 32-bit effective addresses, integer data types of 8, 16 and 32 bits, and floating-point data types of 32 and 64 bits. For 64-bit PowerPC microprocessors, the PowerPC architecture provides 64-bit integer data types, 64-bit addressing, and other features required to complete the 64-bit architecture.

The 603r provides four software controllable power-saving modes. Three of the modes (the nap, doze, and sleep modes) are static in nature, and progressively reduce the amount of power dissipated by the processor. The fourth is a dynamic power management mode that causes the functional units in the 603r to automatically enter a low-power mode when the functional units are idle without affecting operational performance, software execution, or any external hardware.

The 603r is a superscalar processor capable of issuing and retiring as many as three instructions per clock. Instructions can execute out of order for increased performance; however, the 603r makes completion appear sequential.

The 603e integrates five execution units—an integer unit (IU), a floating-point unit (FPU), a branch processing unit (BPU), a load/store unit (LSU) and a system register unit (SRU). The ability to execute five instructions in parallel and the use of simple instructions with rapid execution times yield high efficiency and throughput for 603r-based systems. Most integer instructions execute in one clock cycle. The FPU is pipelined so a single-precision multiply-add instruction can be issued every clock cycle.

The 603r provides independent on-chip, 16K byte, four-way set-associative, physically addressed caches for instructions and data and on-chip instruction and data memory management units (MMUs). The MMUs contain 64-entry, two-way set-associative, data and instruction translation look aside buffers (DTLB and ITLB) that provide support for demand-paged virtual memory address translation and variable-sized block translation. The TLBs and caches use a least recently used (LRU) replacement algorithm. The 603r also supports block address translation through the use of two independent instruction and data block address translation (IBAT and DBAT) arrays of four entries each. Effective addresses are compared simultaneously with all four entries in the BAT array during block translation. In accordance with the PowerPC architecture, if an effective address hits in both the TLB and BAT array, the BAT translation takes priority.

The 603r has a selectable 32- or 64-bit data bus and a 32-bit address bus. The 603r interface protocol allows multiple masters to compete for system resources through a central external arbiter. The 603r provides a three-state coherency protocol that supports the exclusive, modified, and invalid cache states. This protocol as a compatible subset of the MESI (modified/exclusive/shared/invalid) four-state protocol and operates coherently in systems that contain four-state caches. The 603r supports single-beat and burst data transfers for memory accesses, and supports memory-mapped I/O.

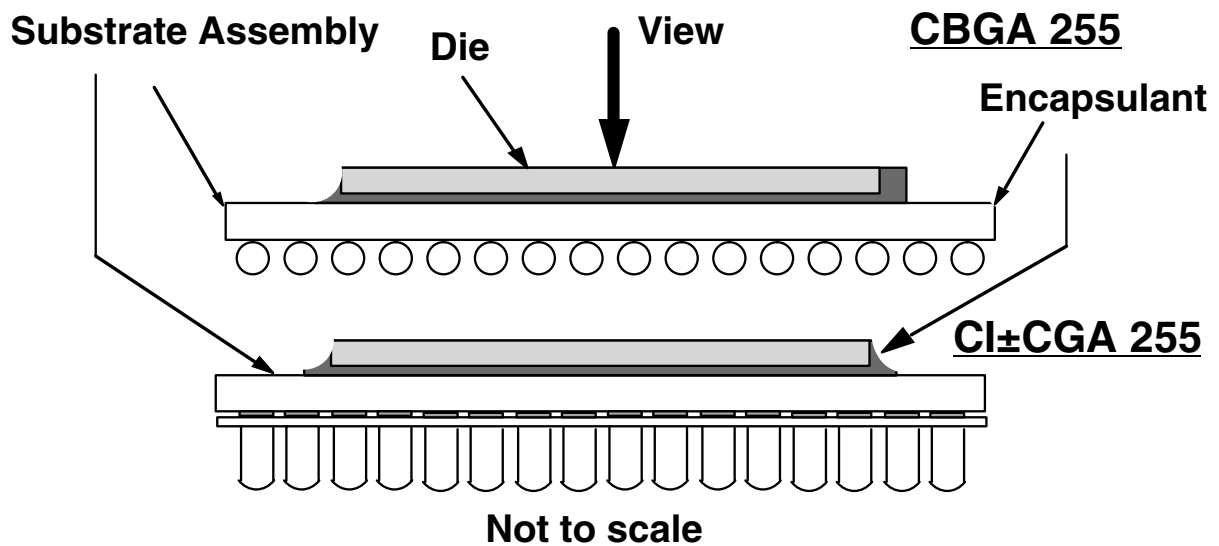
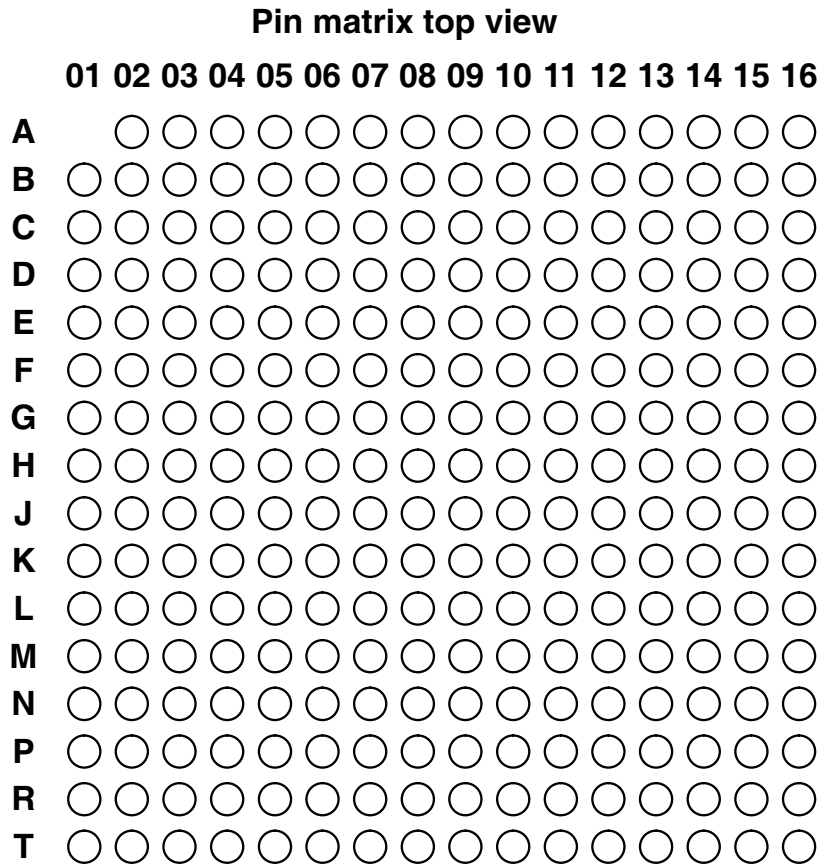
The 603r uses an advanced, 0.29  $\mu\text{m}$  5 metal layer CMOS process technology and maintains full interface compatibility with TTL devices.

## Pin Assignments

### CBGA 255 and CI-CGA 255 Packages

Figure 2 (pin matrix) shows the pinout as viewed from the top of the CBGA and CI-CGA packages. The direction of the top surface view is shown by the side profile of the packages.

Figure 2. CBGA 255 and CI-CGA 255 Top View



## Pinout Listing

**Table 1.** Power and Ground Pins

	VDD <sup>2</sup>	GND
PLL (AVDD)	A10	
Internal Logic	F06, F08, F09, F11, G07, G10, H06, H08, H09, H11, J06, J08, J09, J11, K07, K10, L06, L08, L09, L11	C05, C12, E03, E06, E08, E09, E11, E14, F05, F07, F10, F12, G06, G08, G09, G11, H05, H07, H10, H12, J05, J07, J10, J12, K06, K08, K09, K11, L05, L07, L10, L12, M03, M06, M08, M09, M11, M14, P05, P12
Output Drivers	C07, E05, E07, E10, E12, G03, G05, G12, G14, K03, K05, K12, K14, M05, M07, M10, M12, P07, P10	

**Table 2.** Signal Pinout Listing

Signal Name	CBGA Pin Number	Active	I/O
A[0-31]	C16, E04, D13, F02, D14, G01, D15, E02, D16, D04, E13, G02, E15, H01, E16, H02, F13, J01, F14, J02, F15, H03, F16, F04, G13, K01, G15, K02, H16, M01, J15, P01	High	I/O
$\overline{\text{AACK}}$	L02	Low	Input
$\overline{\text{ABB}}$	K04	Low	I/O
AP[0-3]	C01, B04, B03, B02	High	I/O
$\overline{\text{APE}}$	A04	Low	Output
$\overline{\text{ARTRY}}$	J04	Low	I/O
$\overline{\text{BG}}$	L01	Low	Input
$\overline{\text{BR}}$	B06	Low	Output
$\overline{\text{CI}}$	E01	Low	Output
$\overline{\text{CKSTP\_IN}}$	D08	Low	Input
$\overline{\text{CKSTP\_OUT}}$	A06	Low	Output
CLK_OUT	D07	-	Output
CSE[0-1]	B01, B05	High	Output
$\overline{\text{DBB}}$	J14	Low	I/O
$\overline{\text{DBG}}$	N01	Low	Input
$\overline{\text{DBDIS}}$	H15	Low	Input
$\overline{\text{DBWO}}$	G04	Low	Input
DH[0-31]	P14, T16, R15, T15, R13, R12, P11, N11, R11, T12, T11, R10, P09, N09, T10, R09, T09, P08, N08, R08, T08, N07, R07, T07, P06, N06, R06, T06, R05, N05, T05, T04	High	I/O
DL[0-31]	K13, K15, K16, L16, L15, L13, L14, M16, M15, M13, N16, N15, N13, N14, P16, P15, R16, R14, T14, N10, P13, N12, T13, P03, N03, N04, R03, T01, T02, P04, T03, R04	High	I/O
DP[0-7]	M02, L03, N02, L04, R01, P02, M04, R02	High	I/O
$\overline{\text{DPE}}$	A05	Low	Output
$\overline{\text{DRTRY}}$	G16	Low	Input
$\overline{\text{GBL}}$	F01	Low	I/O
$\overline{\text{HRESET}}$	A07	Low	Input
$\overline{\text{INT}}$	B15	Low	Input



**Table 2. Signal Pinout Listing**

Signal Name	CBGA Pin Number	Active	I/O
L1_TSTCLK <sup>(1)</sup>	D11	-	Input
L2_TSTCLK <sup>(1)</sup>	D12	-	Input
$\overline{\text{LSSD\_MODE}}$ <sup>(1)</sup>	B10	Low	Input
$\overline{\text{MCP}}$	C13	Low	Input
PLL_CFG[0-3]	A08, B09, A09, D09	High	Input
$\overline{\text{QACK}}$	D03	Low	Input
$\overline{\text{QREQ}}$	J03	Low	Output
$\overline{\text{RSRV}}$	D01	Low	Output
$\overline{\text{SMI}}$	A16	Low	Input
$\overline{\text{SRESET}}$	B14	Low	Input
SYSCLK	C09	-	Input
$\overline{\text{TA}}$	H14	Low	Input
TBEN	C02	High	Input
$\overline{\text{TBST}}$	A14	Low	I/O
TC[0-1]	A02, A03	High	Output
TCK	C11	-	Input
TDI	A11	High	Input
TDO	A12	High	Output
$\overline{\text{TEA}}$	H13	Low	Input
$\overline{\text{TLBISYNC}}$	C04	Low	Input
TMS	B11	High	Input
$\overline{\text{TRST}}$	C10	Low	Input
$\overline{\text{TS}}$	J13	Low	I/O
TSIZ[0-2]	A13, D10, B12	High	I/O
TT[0-4]	B13, A15, B16, C14, C15	High	I/O
$\overline{\text{WT}}$	D02	Low	Output
NC	B07, B08, C03, C06, C08, D05, D06, F03, H04, J16	Low	Input
VOLTDGND <sup>(3)</sup>	F03	Low	Output

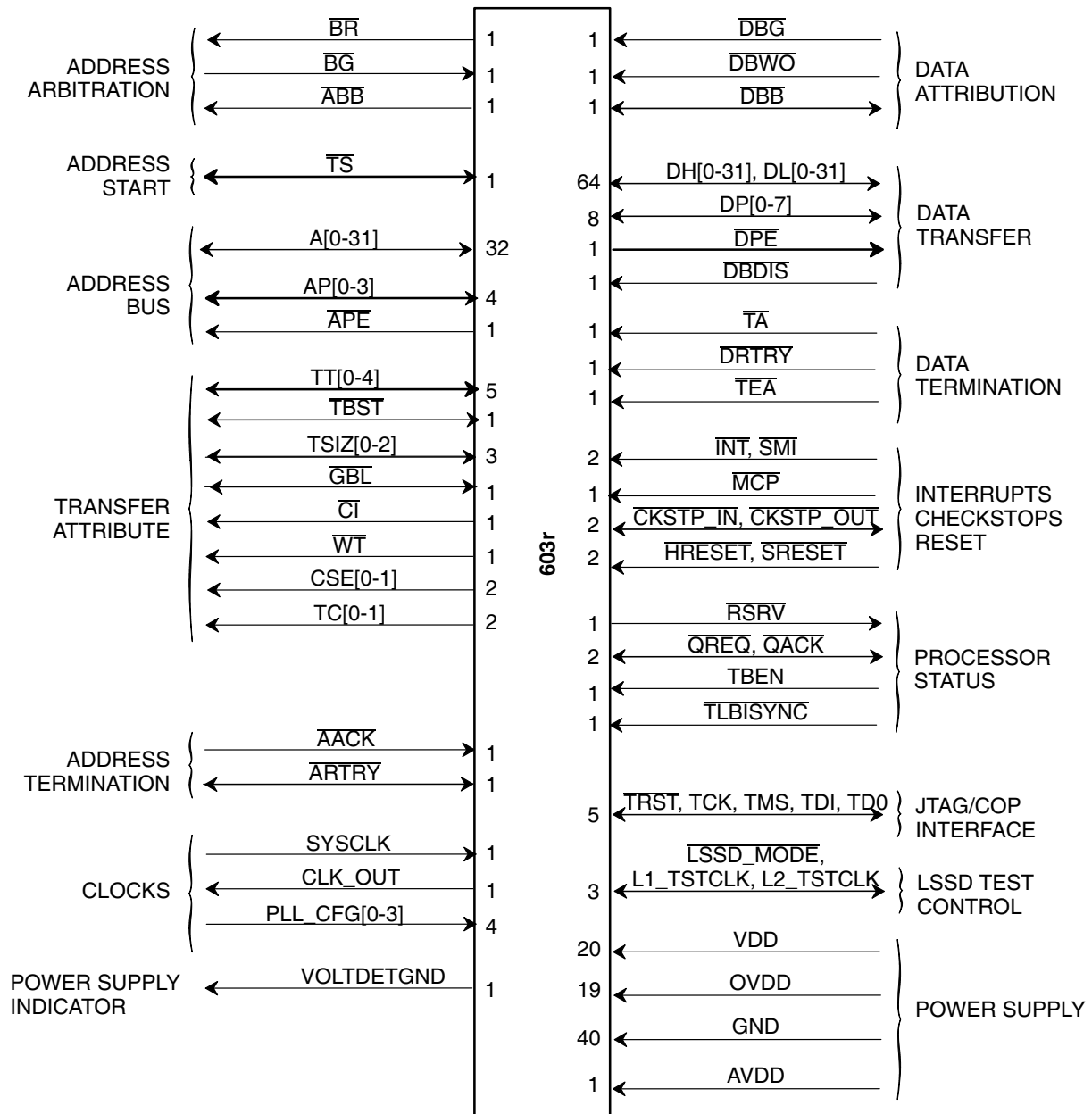
- Notes:
1. These are test signals for factory use only and must be pulled up to  $\text{OV}_{\text{DD}}$  for normal machine operation.
  2.  $\text{OV}_{\text{DD}}$  inputs supply power to the I/O drivers and  $\text{V}_{\text{DD}}$  inputs supply power to the processor core.
  3. NC (no-connect) in the 603e BGA package; internally tied to GND in the 603r BGA package to indicate to the power supply that a low-voltage processor is present.

## Signal Description

Figure 3, Table 3 and Table 4 describe the signals on the TSPC603r and indicate signal functions. The test signals,  $\overline{\text{TRST}}$ , TMS, TCK, TDI and TDO, comply with subset P-1149.1 of the IEEE testability bus standard.

The 3 signals  $\overline{\text{LSSD\_MODE}}$ , L1\_TSTCLK and L2\_TSTCLK are test signals for factory use only and must be pulled up to VDD for normal machine operations.

**Figure 3. Functional Signal Groups**



**Table 3. Address and data bus signal index**

Signal Name	Mnemonic	Signal function	Signal type
Address Bus	A[0-31]	if output, physical address of data to be transferred. if input, represents the physical address of a snoop operation.	I/O
Data Bus	DH[0-31]	Represents the state of data, during a data write operation if output, or during a data read operation if input.	I/O
Data Bus	DL[0-31]	Represents the state of data, during a data write operation if output, or during a data read operation if input.	I/O

**Table 4.** Signal index

Signal Name	Mnemonic	Signal function	Signal type
Address Acknowledge	$\overline{\text{AACK}}$	The address phase of a transaction is complete	Input
Address Bus Busy	$\overline{\text{ABB}}$	If output, the 603r is the address bus master If input, the address bus is in use	I/O
Address Bus Parity	AP[0-3]	If output, represents odd parity for each of 4 bytes of the physical address for a transaction If input, represents odd parity for each of 4 bytes of the physical address for snooping operations	I/O
Address Parity Error	$\overline{\text{APE}}$	Incorrect address bus parity detected on a snoop	Output
Address Retry	$\overline{\text{ARTRY}}$	If output, detects a condition in which a snooped address tenure must be retried If input, must retry the preceding address tenure	I/O
Bus Grant	$\overline{\text{BG}}$	May, with the proper qualification, assume mastership of the address bus	Input
Bus Request	$\overline{\text{BR}}$	Request mastership of the address bus	Output
Cache Inhibit	$\overline{\text{CI}}$	A single-beat transfer will not be cached	Output
Test Clock	CLK_OUT	Provides PLL clock output for PLL testing and monitoring	Output
Checkstop Input	$\overline{\text{CKSTP\_IN}}$	Must terminate operation by internally gating off all clocks, and release all outputs	Input
Checkstop Output	$\overline{\text{CKSTP\_OUT}}$	Has detected a checkstop condition and has ceased operation	Output
Cache Set Entry	CSE[0-1]	Cache replacement set element for the current transaction reloading into or writing out of the cache	Output
Data Bus Busy	$\overline{\text{DBB}}$	If output, the 603r is the data bus master If input, another device is bus master	I/O
Data Bus Disable	$\overline{\text{DBDIS}}$	(For a write transaction) must release data bus and the data bus parity to high impedance during the following cycle	Input
Data Bus Grant	$\overline{\text{DBG}}$	May, with the proper qualification, assume mastership of the data bus	Input
Data Bus Write Only	$\overline{\text{DBW0}}$	May run the data bus tenure	Input
Data Bus Parity	DP[0-7]	If output, odd parity for each of 8 bytes of data write transactions If input, odd parity for each byte of read data	I/O
Data Parity Error	$\overline{\text{DPE}}$	Incorrect data bus parity	Output
Data Retry	$\overline{\text{DRTRY}}$	Must invalidate the data from the previous read operation	Input
Global	$\overline{\text{GBL}}$	If output, a transaction is global If input, a transaction must be snooped by the 603r	I/O
Hard Reset	$\overline{\text{HRESET}}$	Initiates a complete hard reset operation	Input
Interrupt	$\overline{\text{INT}}$	Initiates an interrupt if bit EE of MSR register is set	Input
	$\overline{\text{LSSD\_MODE}}$	LSSD test control signal for factory use only	Input
	L1_TSTCLK	LSSD test control signal for factory use only	Input
	L2_TSTCLK	LSSD test control signal for factory use only	Input



**Table 4. Signal index**

Signal Name	Mnemonic	Signal function	Signal type
Machine Check Interrupt	$\overline{\text{MCP}}$	Initiates a machine check interrupt operation if the bit ME of MSR register and bit EMCP of HIDEO register are set	Input
PLL Configuration	PLL_CFG[0-3]	Configures the operation of the PLL and the internal processor clock frequency	Input
Quiescent Acknowledge	$\overline{\text{QACK}}$	All bus activity has terminated and the 603r may enter a quiescent (or low power) state	Input
Quiescent Request	$\overline{\text{QREQ}}$	Is requesting all bus activity normally to enter a quiescent (low power) state	Output
Reservation	$\overline{\text{RSRV}}$	Represents the state of the reservation coherency bit in the reservation address register	Output
System Management Interrupt	$\overline{\text{SMI}}$	Initiates a system management interrupt operation if the bit EE of MSR register is set	Input
Soft Reset	$\overline{\text{SRESET}}$	Initiates processing for a reset exception	Input
System Clock	SYCLK	Represents the primary clock input for the 603r, and the bus clock frequency for 603r bus operation	Input
Transfer Acknowledge	$\overline{\text{TA}}$	A single-beat data transfer completed successfully or a data beat in a burst transfer completed successfully	Input
Timebase Enable	TBEN	The timebase should continue clocking	Input
Transfer Burst	$\overline{\text{TBST}}$	If output, a burst transfer is in progress If input, when snooping for single-beat reads	I/O
Transfer Code	TC[0-1]	Special encoding for the transfer in progress	Output
Test Clock	TCK	Clock signal for the IEEE P1149.1 test access port (TAP)	Input
Test Data Input	TDI	Serial data input for the TAP	Input
Test Data Output	TDO	Serial data output for the TAP	Output
Transfer Error Acknowledge	$\overline{\text{TEA}}$	A bus error occurred	Input
TLBI Sync	$\overline{\text{TLBISYNC}}$	Instruction execution should stop after execution of a <b>tlbsync</b> instruction	Input
Test Mode Select	TMS	Selects the principal operations of the test-support circuitry	Input
Test Reset	$\overline{\text{TRST}}$	Provides an asynchronous reset of the TAP controller	Input
Transfer Size	TSIZ[0-2]	For memory accesses, these signals along with $\overline{\text{TBST}}$ indicate the data transfer size for the current bus operation	I/O
Transfer start	$\overline{\text{TS}}$	If output, begun a memory bus transaction and the address bus and transfer attribute signals are valid If input, another master has begun a bus transaction and the address bus and transfer attribute signals are valid for snooping (see $\overline{\text{GBL}}$ )	I/O
Transfer Type	TT[0-4]	Type of transfer in progress	I/O
Write-Through	$\overline{\text{WT}}$	A single-beat transaction is write-through	Output
Power supply indicator	VOLTDETGND	Available only on BGA package Indicates to the power supply that a low-voltage processor is present.	Output



## Detailed Specifications

### Scope

This drawing describes the specific requirements for the microprocessor TSPC603r, in compliance with MIL-STD-883 class B or ATMEL-Grenoble standard screening.

### Applicable Documents

1. MIL-STD-883: Test methods and procedures for electronics.
2. MIL-PRF-38535: General specifications for microcircuits.

### Requirements

#### General

The microcircuits are in accordance with the applicable documents and as specified herein.

#### Design and construction

- **Terminal connections**

The terminal connections shall be as shown in Figure 15 and Figure 3.

- **Lead material and finish**

Lead material and finish shall be as specified in MIL-STD-1835.

#### Absolute Maximum Ratings

Absolute maximum ratings are stress rating only and functional operation at the maximum is not guaranteed. Stresses beyond those listed may affect device reliability or cause permanent damage to the device.

**Table 5.** Absolute Maximum Rating for the 603r

Parameter	Symbol	Min	Max	Unit
Core Supply Voltage	$V_{dd}$	-0.3	2.75	V
PLL Supply Voltage	$AV_{dd}$	-0.3	2.75	V
I/O Supply Voltage	$OV_{dd}$	-0.3	3.6	V
Input Voltage	$V_{in}$	-0.3	5.5	V
Storage Temperature Range	$T_{stg}$	-55	+150	°C

- Notes:
1. Functional operating conditions are given in AC and DC electrical specifications. Stresses beyond the absolute maximums listed may affect device reliability or cause permanent damage to the device.
  2. **Caution:** Input voltage must not be greater than  $OV_{dd}$  by more than 2.5V at any times, including during power-on reset.
  3. **Caution:**  $OV_{dd}$  voltage must not be greater than  $V_{dd}/AV_{dd}$  by more than 1.2V at any times, including during power-on reset.
  4. **Caution:**  $V_{dd}/AV_{dd}$  voltage must not be greater than  $OV_{dd}$  by more than 0.4V at any times, including during power-on reset.

#### Recommended Operating Conditions

These are the recommended and tested operating conditions. Proper device operation outside of these conditions is not guaranteed.

Parameter	Symbol	Min	Max	Unit
Core Supply Voltage	$V_{dd}$	2.375	2.625	V
PLL Supply Voltage	$AV_{dd}$	2.375	2.625	V
I/O Supply Voltage	$OV_{dd}$	3.135	3.465	V
Input Voltage	$V_{in}$	GND	5.5	V
Operating Temperature	$T_c$	-55	+125	°C

## Thermal Characteristics

The data found in this section concerns 603r's packaged in the 255-lead 21 mm multi-layer ceramic (MLC), ceramic BGA package. Data is shown for the case of using the Thermalloy #2328B heat sink.

The internal thermal resistance for this package is negligible due to the exposed die design. A thermal interface material is recommended at the package lid-to-heat sink interface to minimize the thermal contact resistance.

Additionally, the CBGA package offers an excellent thermal connection to the card and power planes. Heat generated at the chip is dissipated through the package, the heat sink (when used) and the card. The parallel heat flow paths result in the lowest overall thermal resistance as well as offer significantly better power dissipation capability if a heat sink is not used.

The thermal characteristics for the flip-chip CBGA and CI-CGA packages are as follows:

Thermal resistance (junction-to-case) =  $R_{jc}$  or  
 $\theta_{jc} = 0.095^{\circ}\text{C/Watt}$  for the 2 packages.

Thermal resistance (junction-to-ball) =  $R_{jb}$  or  
 $\theta_{jb} = 3.5^{\circ}\text{C/Watt}$  for the CBGA package.

Thermal resistance (junction-to-bottom SCI) =  $R_{js}$  or  
 $\theta_{js} = 3.7^{\circ}\text{C/Watt}$  for the CI-CGA package.

The junction temperature can be calculated from the junction to ambient thermal resistance, as follow:

Junction temperature:

$$T_j = T_a + (R_{jc} + R_{cs} + R_{sa}) * P$$

Where:  $T_a$  is the ambient temperature in the vicinity of the device

$R_{jc}$  is the die junction-to-case thermal resistance of the device

$R_{cs}$  is the case-to-heat sink thermal resistance of the interface material

$R_{sa}$  is the heat sink-to-ambient thermal resistance

$P$  is the power dissipated by the device

During operation, the die-junction temperatures ( $T_j$ ) should be maintained less than the value specified in Table 5.

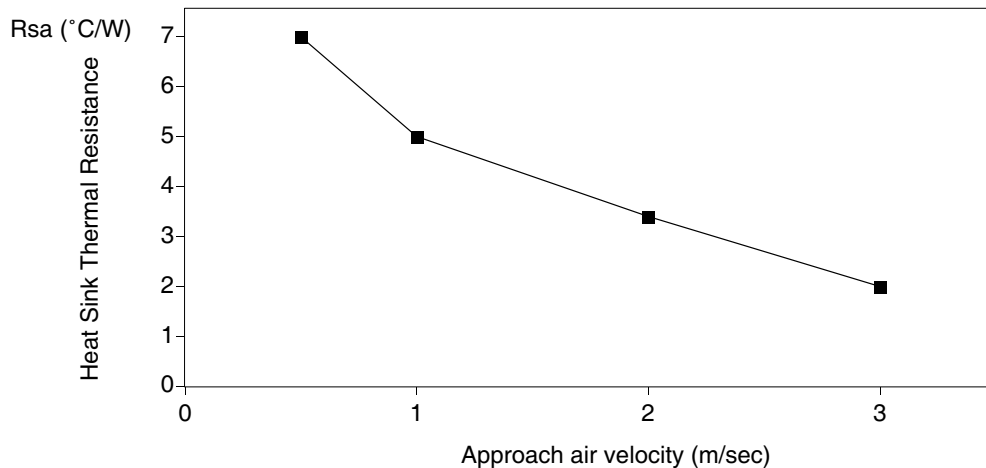
The thermal resistance of the thermal interface material ( $R_{cs}$ ) is typically about  $1^{\circ}\text{C/Watt}$ .

Assuming a  $T_a$  of  $85^{\circ}\text{C}$  and a consumption ( $P$ ) of 3.6 Watts, the junction temperature of the device would be as follow:

$$T_j = 85^{\circ}\text{C} + (0.095^{\circ}\text{C/Watt} + 1^{\circ}\text{C/Watt} + R_{sa}) * 3.5 \text{ Watts.}$$

For the Thermalloy heat sink #2328B, the heat sink-to-ambient thermal resistance ( $R_{sa}$ ) versus airflow velocity is shown in Figure 4.

**Figure 4.** CBGA Thermal Management Example



Assuming an air velocity of 1.0 m/sec, the associated overall thermal resistance and junction temperature, found in Table 6 will result.

**Table 6.** Thermal Resistance and Junction Temperature

Configuration	R <sub>ja</sub> (°C/W)	T <sub>j</sub> (°C)
With 2328B heat sink	5.0	106

Vendors such as Aavid Engineering Inc., Thermalloy, and Wakefield Engineering can supply heat sinks with a wide range of thermal performance.

**Power Consideration**

The PowerPC603r is a microprocessor specifically designed for low-power operation. As the 603e microprocessor version, the 603r provides both automatic and program-controllable power reduction modes for progressive reduction of power consumption. This chapter describes the hardware support provided by the 603r for power management.

- **Dynamic Power Management**

Dynamic power management automatically powers up and down the individual execution units of the 603r, based upon the contents of the instruction stream. For example, if no floating-point instructions are being executed, the floating-point unit is automatically powered down. Power is not actually removed from the execution unit; instead, each execution unit has an independent clock input, which is automatically controlled on a clock-by-clock basis. Since CMOS circuits consume negligible power when they are not switching, stopping the clock to an execution unit effectively eliminates its power consumption. The operation of DPM is completely transparent to software or any external hardware. Dynamic power management is enabled by setting bit 11 in `HID0` on power-up, or following `HRESET`.

- **Programmable Power Modes**

The 603r provides four programmable power states—full power, doze, nap and sleep. Software selects these modes by setting one (and only one) of the three power saving mode bits. Hardware can enable a power management state through external asynchronous interrupts. The hardware interrupt causes the transfer of program flow to interrupt handler code. The appropriate mode is then set by the software. The 603r provides a separate interrupt and interrupt vector for power management—the system management interrupt (SMI). The 603r also contains a decrement timer which allows it to enter the nap or doze mode for a predetermined amount of time and then return to full power operation through the decremter interrupt (DI).

Note that the 603r cannot switch from on power management mode to another without first returning to full on mode. The nap and sleep modes disable bus snooping; therefore, a hardware handshake is provided to ensure coherency before the 603r enters these power management modes. Table 7 summarizes the four power states.

**Table 7.** Power PC 603r Microprocessor Programmable Power Modes

PM Mode	Functioning Units	Activation Method	Full-Power Wake Up Method
Full Power	All units active	—	—
Full Power (with DPM)	Requested logic by demand	By instruction dispatch	—
Doze	- Bus snooping - Data cache as needed - Decrementer timer	Controlled by SW	External asynchronous exceptions <sup>(1)</sup> Decrementer interrupt Reset
Nap	Decrementer timer	Controlled by hardware and software	External asynchronous exceptions Decrementer interrupt Reset
Sleep	None	Controlled by hardware and software	External asynchronous exceptions Reset

Note: 1. Exceptions are referred to as interrupts in the architecture specification

• **Power Management Modes**

The following sections describe the characteristics of the 603r’s power management modes, the requirements for entering and exiting the various modes, and the system capabilities provided by the 603r while the power management modes are active.

**FULL-POWER MODE WITH DPM DISABLED:** Full-power mode with DPM disabled power mode is selected when the DPM enable bit (bit 11) in H1D0 is cleared.

- Default state following power-up and  $\overline{\text{HRESET}}$ .
- All functional units are operating at full processor speed at all times.

**FULL-POWER MODE WITH DPM ENABLED:** Full-power mode with DPM enabled (H1D0[11] = 1) provides on-chip power management without affecting the functionality or performance of the 603r.

- Required functional units are operating at full processor speed.
- Functional units are clocked only when needed.
- No software or hardware intervention required after mode is set.
- Software/hardware and performance transparent.

**DOZE MODE:** Doze mode disables most functional units but maintains cache coherency by enabling the bus interface unit and snooping. A snoop hit will cause the 603r to enable the data cache, copy the data back to memory, disable the cache, and fully return to the doze state.

- Most functional units disabled.
- Bus snooping and time base/decrementer still enabled.
- Doze mode sequence:
  - Set doze bit (H1D0[8] = 1).
  - 603r enters doze mode after several processor clocks.
- Several methods of returning to full-power mode:
  - Assert  $\overline{\text{INT}}$ ,  $\overline{\text{SMI}}$ ,  $\overline{\text{MCP}}$  or decrementer interrupts.
  - Assert hard reset or soft reset.

- Transition to full-power state takes no more than a few processor cycles.
- PLL running and locked to SYSCLK.

**NAP MODE:** The nap mode disables the 603r but still maintains the phase locked loop (PLL) and the time base/decrementer. The time base can be used to restore the 603r to full-on state after a programmed amount of time. Because bus snooping is disabled for nap and sleep mode, a hardware handshake using the quiesce request ( $\overline{QREQ}$ ) and quiesce acknowledge ( $\overline{QACK}$ ) signals are required to maintain data coherency. The 603r will assert the  $\overline{QREQ}$  signal to indicate that it is ready to disable bus snooping. When the system has ensured that snooping is no longer necessary, it will assert  $\overline{QACK}$  and the 603r will enter the sleep or nap mode.

- Time base/decrementer still enabled.
- Most functional units disabled (including bus snooping).
- All nonessential input receivers disabled.
- Nap mode sequence:
  - Set nap bit ( $HID0[9] = 1$ ).
  - 603r asserts quiesce request ( $\overline{QREQ}$ ) signal.
  - System asserts quiesce acknowledge ( $\overline{QACK}$ ) signal.
  - 603r enters sleep mode after several processor clocks.
- Several methods of returning to full-power mode:
  - Assert  $\overline{INT}$ ,  $\overline{SPI}$ ,  $\overline{MCP}$  or decrementer interrupts.
  - Assert hard reset or soft reset.
- Transition to full-power takes no more than a few processor cycles.
- PLL running and locked to SYSCLK.

**SLEEP MODE:** Sleep mode consumes the least amount of power of the four modes since all functional units are disabled. To conserve the maximum amount of power, the PLL may be disabled and the SYSCLK may be removed. Due to the fully static design of the 603r, internal processor state is preserved when no internal clock is present. Because the time base and decrementer are disabled while the 603r is in sleep mode, the 603r's time base contents will have to be updated from an external time base following sleep mode if accurate time-of-day maintenance is required. Before the 603r enters the sleep mode, the 603r will assert the  $\overline{QREQ}$  signal to indicate that it is ready to disable bus snooping. When the system has ensured that snooping is no longer necessary, it will assert  $\overline{QACK}$  and the 603r will enter the sleep mode.

- All functional units disabled (including bus snooping and time base).
- All nonessential input receivers disabled:
  - Internal clock regenerators disabled.
  - PLL still running (see below).
- Sleep mode sequence:
  - Set sleep bit ( $HID0[10] = 1$ ).
  - 603r asserts quiesce request ( $\overline{QREQ}$ ).
  - System asserts quiesce acknowledge ( $\overline{QACK}$ ).
  - 603r enters sleep mode after several processor clocks.
- Several methods of returning to full-power mode:
  - Assert  $\overline{INT}$ ,  $\overline{SMI}$ , or  $\overline{MCP}$  interrupts.
  - Assert hard reset or soft reset.
- PLL may be disabled and SYSCLK may be removed while in sleep mode.

- Return to full-power mode after PLL and SYSCLK disabled in sleep mode:
  - Enable SYSCLK.
  - Reconfigure PLL into desired processor clock mode.
  - System logic waits for PLL startup and relock time (100  $\mu$ sec).
  - System logic asserts one of the sleep recovery signals (for example, INT or SMI).

- **Power Management Software Considerations**

Since the 603r is a dual issue processor with out-of-order execution capability, care must be taken in how the power management mode is entered. Furthermore, nap and sleep modes require all outstanding bus operations to be completed before the power management mode is entered. Normally during system configuration time, one of the power management modes would be selected by setting the appropriate HID0 mode bit. Later on, the power management mode is invoked by setting the MSR[POW] bit. To provide a clean transition into and out of the power management mode, the `stmsr[POW]` should be preceded by a `sync` instruction and followed by an `isync` instruction.

- **Power Dissipation**

**Table 8.** Power Dissipation

$V_{dd}/AV_{dd} = 2.5 \pm 5\%V$  dc,  $OV_{dd} = 3.3 \pm 5\%V$  dc, GND = 0V dc,  $0^{\circ}C \leq T_C \leq 125^{\circ}C$   
CPU Clock Frequency

	166 MHz	200 MHz	233 MHz	266 MHz	300 MHz	Units
<b>Full-On Mode (DPM Enabled)</b>						
Typical	2.1	2.5	3.0	3.5	4.0	W
Max	3.2	4.0	4.6	5.3	6.0	W
<b>Doze Mode</b>						
Typical	1.5	1.7	1.8	2.0	2.1	W
<b>Nap Mode</b>						
Typical	100	120	140	160	180	mW
<b>Sleep Mode</b>						
Typical	96	110	123	135	150	mW
<b>Sleep Mode-PLL Disabled</b>						
Typical	60	60	60	60	60	mW
<b>Sleep Mode-PLL and SYSCLK Disabled</b>						
Typical	25	25	25	25	25	mW
Maximum	60	60	60	80	100	mW

- Notes:
1. These values apply for all valid PLL\_CFG[0-3] settings and do not include output driver power (OVDD) or analog supply power (AV<sub>DD</sub>). OV<sub>DD</sub> power is system dependent but is typically  $\leq 10\%$  of V<sub>DD</sub>. Worst-case AV<sub>DD</sub> = 15 mW.
  2. Typical power is an average value measured at V<sub>DD</sub> = AV<sub>DD</sub> = 2.5V, OV<sub>V</sub> = 3.3V, in a system executing typical applications and benchmark sequences.
  3. Maximum power is measured at V<sub>DD</sub> = 2.625V using a worst-case instruction mix.
  4. To calculate the power consumption at low temperature (-55°C), use a factor of 1.25.





## Marking

The document where are defined the marking are identified in the related reference documents. Each microcircuit are legible and permanently marked with the following information as minimum:

- ATMEL logo,
- Manufacturer's part number,
- Class B identification if applicable,
- Date-code of inspection lot,
- ESD identifier if available,
- Country of manufacturing.

## Electrical Characteristics

### General Requirements

All static and dynamic electrical characteristics specified for inspection purposes and the relevant measurement conditions are given below:

- Table 9: Static electrical characteristics for the electrical variants.
- Table 10: Dynamic electrical characteristics for the 603r.

These specifications are for 166 MHz to 300 MHz processor core frequencies. The processor core frequency is determined by the bus (SYSCLK) frequency and the settings of the PLL\_CFG0 to PLL\_CFG3 signals. All timings are specified respective to the rise edge of SYSCLK.

### Static Characteristics

**Table 9.** Electrical Characteristics

$V_{dd} = AV_{dd} = 2.5V \pm 5\%$ ;  $OV_{dd} = 3.3 \pm 5\%V$  dc, GND = 0V dc,  $-55^{\circ}C \leq TC \leq 125^{\circ}C$

Characteristics	Symbol	Min	Max	Unit	
Input High Voltage (all inputs except SYSCLK)	$V_{IH}$	2.0	5.5	V	
Input Low Voltage (all inputs except SYSCLK)	$V_{IL}$	GND	0.8	V	
SYSCLK Input High Voltage	$CV_{IH}$	2.4	5.5	V	
SYSCLK Input Low Voltage	$CV_{IL}$	GND	0.4	V	
Input Leakage Current	$V_{in} = 3.465V^{(1)(3)}$	$I_{in}$	-	30	$\mu A$
	$V_{in} = 5.5V^{(1)(3)}$	$I_{in}$	-	300	$\mu A$
Hi-Z (off-state) Leakage Current	$V_{in} = 3.465V^{(1)(3)}$	$I_{TSI}$	-	30	$\mu A$
	$V_{in} = 5.5V^{(1)(3)}$	$I_{TSI}$	-	300	$\mu A$
Output High Voltage	$I_{OH} = -7$ mA	$V_{OH}$	2.4	-	V
Output Low Voltage	$I_{OL} = +7$ mA	$V_{OL}$	-	0.4	V
Capacitance, $V_{in} = 0V$ , $f = 1$ MHz <sup>(2)</sup> (excludes $\overline{TS}$ , $\overline{ABB}$ , $\overline{DBB}$ , and $\overline{ARTRY}$ )	$C_{in}$	-	10.0	pF	
Capacitance, $V_{in} = 0V$ , $f = 1$ MHz <sup>(2)</sup> (for $\overline{TS}$ , $\overline{ABB}$ , $\overline{DBB}$ , and $\overline{ARTRY}$ )	$C_{in}$	-	15.0	pF	

- Notes:
1. Excludes test signals (LSSD\_MODE, L1\_TSTCLK, L2\_TSTCLK, and JTAG signals).
  2. Capacitance is periodically sampled rather than 100% tested.
  3. Leakage currents are measured for nominal  $OV_{dd}$  and  $V_{dd}$  or both  $OV_{dd}$  and  $V_{dd}$ . Same variation (for example, both  $V_{dd}$  and  $OV_{dd}$  vary by either +5% or -5%).



## Dynamic Characteristics

### • Clock AC Specifications

Table 10 provides the clock AC timing specifications as defined in Figure 5.

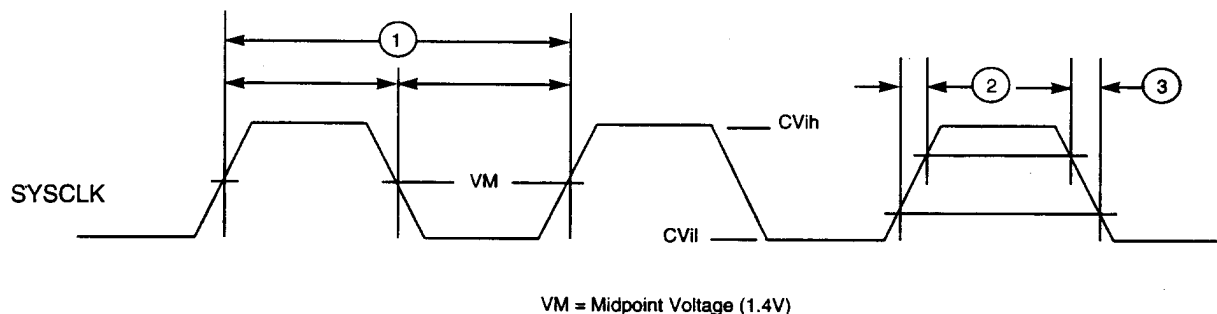
**Table 10.** Clock AC Timing Specifications

$V_{dd} = AV_{dd} = 2.5V \pm 5\%$ ;  $OV_{dd} = 3.3 \pm 5\%V$  dc,  $GND = 0V$  dc,  $-55^{\circ}C \leq T_C \leq 125^{\circ}C$

Num	Characteristics	166 MHz		200 MHz		233 MHz		266 MHz		300 MHz		Unit	Note
		Min	Max	Min	Max	Min	Max	Min	Max	Min	Max		
	Processor Frequency	150	166	150	200	180	233	180	266	180	300	MHz	5
	VCO Frequency	300	332	300	400	360	466	360	532	360	600	MHz	5
	SYSClk (bus) Frequency	25	66.7	33.3	66.7	33.3	75	33.3	75	33.3	75	MHz	5
1	SYSClk Cycle Time	15	30	13.3	30	13.3	30	13.3	30	13.3	30	ns	
2,3	SYSClk Rise and Fall Time	-	2.0	-	2.0	-	2.0	-	2.0	-	2.0	ns	1
4	SYSClk Duty Cycle (1.4V measured)	40.0	60.0	40.0	60.0	40.0	60.0	40.0	60.0	40.0	60.0	%	3
	SYSClk Jitter	-	$\pm 150$	-	$\pm 150$	-	$\pm 150$	-	$\pm 150$	-	$\pm 150$	ps	2
	603r Internal PLL Relock Time	-	100	-	100	-	100	-	100	-	100	$\mu s$	3,4

- Notes:
1. Rise and fall times for the SYSClk input are measured from 0.4V to 2.4V.
  2. Cycle-to-cycle jitter is guaranteed by design.
  3. Timing is guaranteed by design and characterization, and is not tested.
  4. PLL relock time is the maximum amount of time required for PLL lock after a stable  $V_{dd}$ ,  $OV_{dd}$ ,  $AV_{dd}$  and SYSClk are reached during the power-on reset sequence. This specification also applies when the PLL has been disabled and subsequently re-enabled during sleep mode. Also note that HRESET must be held asserted for a minimum of 255 bus clocks after the PLL relock time (100  $\mu s$ ) during the power-on reset sequence.
  5. **Caution:** The SYSClk frequency and PLL\_CFG[0-3] settings must be chosen such that the resulting SYSClk (bus) frequency, CPU (core) frequency, and PLL (VCO) frequency do not exceed their respective maximum or minimum operating frequencies. Refer to the PLL\_CFG[0-3] signal description for valid PLL\_CFG[0-3] settings.

**Figure 5.** SYSClk Input Timing Diagram



### • Input AC specifications

Table 11 provides the input AC timing specifications for the 603r as defined in Figure 6 and Figure 7.

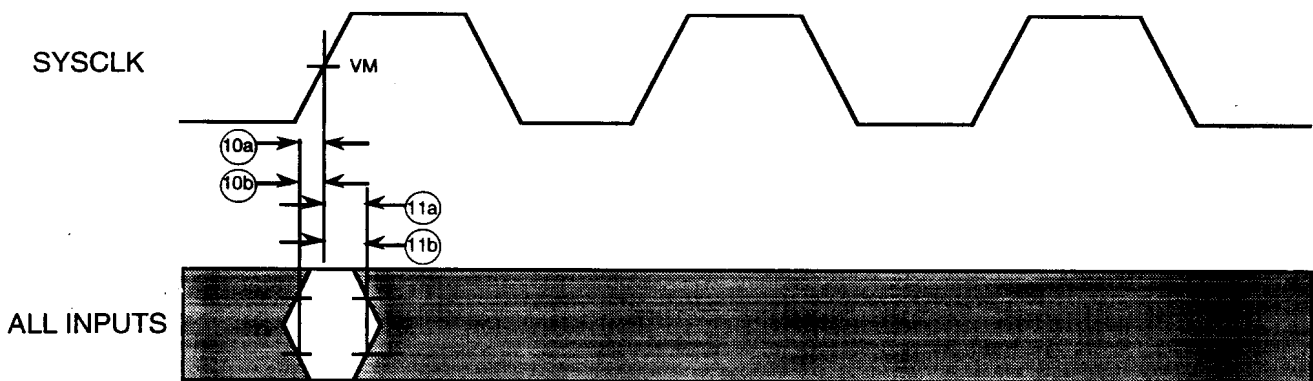
**Table 11.** Input AC Timing Specifications

$V_{dd} = AV_{dd} = 2.5V \pm 5\%$ ;  $OV_{dd} = 3.3 \pm 5\%V$  dc, GND = 0V dc,  $-55^{\circ}C \leq T_C \leq 125^{\circ}C$

Num	Characteristics	166,200 MHz		233,266 MHz		300 MHz		Unit	Note
		Min	Max	Min	Max	Min	Max		
10a	Address/data/transfer attribute inputs valid to SYSCLK (input setup)	2.5	-	2.5	-	2.5	-	ns	2
10b	All other inputs valid to SYSCLK (input setup)	4.0	-	3.5	-	3.5	-	ns	3
10c	Mode select inputs valid to $\overline{HRESET}$ (input setup) (for DRTRY, QACK and TLBISYNC)	8	-	8	-	8	-	$t_{sysclk}$	4,5,6,7
11a	SYSCLK to address/data/transfer attribute inputs invalid (input hold)	1.0	-	1.0	-	1.0	-	ns	2
11b	SYSCLK to all other inputs invalid (input hold)	1.0	-	1.0	-	1.0	-	ns	3
11c	$\overline{HRESET}$ to mode select inputs invalid (input hold) (for DRTRY, QACK, and TLBISYNC)	0	-	0	-	0	-	ns	4,6,7

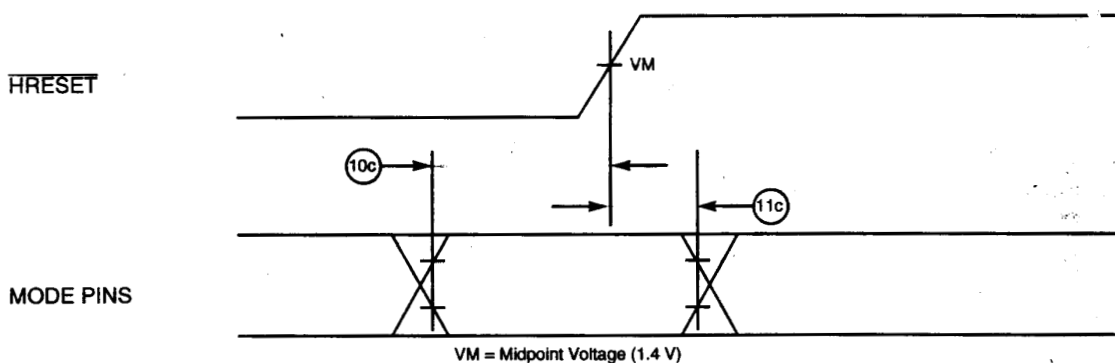
- Notes:
1. All input specifications are measured from the TTL level (0.8 or 2.0V) of the signal in question to the 1.4V of the rising edge of the input SYSCLK. Both input and output timings are measured at the pin. See Figure 7.
  2. Address/data/transfer attribute input signals are composed of the following: A[0-31], AP[0-3], TT[0-4], TC[0-1],  $\overline{TBST}$ , TSIZ[0-2],  $\overline{GBL}$ , DH[0-31], DL[0-31], DP[9-7].
  3. All other input signals are composed of the following:  $\overline{TS}$ ,  $\overline{ABB}$ ,  $\overline{DBB}$ ,  $\overline{ARTRY}$ ,  $\overline{BG}$ ,  $\overline{AACK}$ ,  $\overline{DBG}$ ,  $\overline{DBWO}$ ,  $\overline{TA}$ ,  $\overline{DRTRY}$ ,  $\overline{TEA}$ ,  $\overline{DBDIS}$ ,  $\overline{HRESET}$ ,  $\overline{SRESET}$ ,  $\overline{INT}$ ,  $\overline{SMI}$ ,  $\overline{MCP}$ ,  $\overline{TBEN}$ ,  $\overline{QACK}$ ,  $\overline{TLBISYNC}$ .
  4. The setup and hold time is with respect to the rising edge of  $\overline{HRESET}$ . See Figure 7.
  5.  $t_{sysclk}$  is the period of the external clock (SYSCLK) in nanoseconds (ns). The numbers given in the table must be multiplied by the period of SYSCLK to compute the actual time duration (in nanoseconds) of the parameter in question.
  6. These values are guaranteed by design, and are not tested.
  7. This specification is for configuration mode only. Also note that  $\overline{HRESET}$  must be held asserted for a minimum of 255 bus clocks after the PLL relock time (100  $\mu$ s) during the power-on reset sequence.

**Figure 6.** Input Timing Diagram



VM = Midpoint Voltage (1.4V)

**Figure 7. Mode Select Input Timing Diagram**



• **Output AC Specifications**

Table 12 provides the output AC timing specifications for the 603r (shown in Figure 8).

**Table 12. Output AC Timing Specifications**

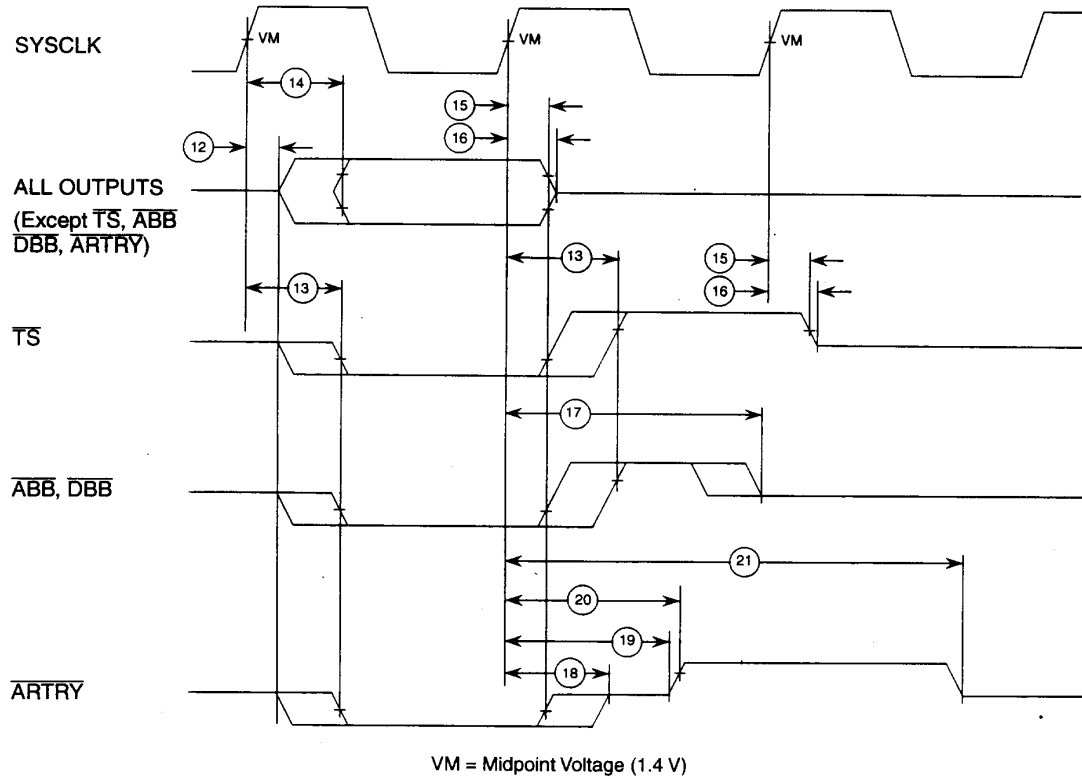
$V_{dd} = AV_{dd} = 2.5V \pm 5\%$ ;  $OV_{dd} = 3.3 \pm 5\%V$  dc, GND = 0V dc,  $C_L = 50$  pF,  $-55^\circ C \leq T_C \leq 125^\circ C$

Num	Characteristic	166,200 MHz		233,266 MHz		300 MHz		Unit	Note
		Min	Max	Min	Max	Min	Max		
12	SYSCLK to output driven (output enable time)	1.0	-	1.0	-	1.0	-	ns	
13a	SYSCLK to output valid (5.5V to 0.8V— $\overline{TS}$ , $\overline{ABB}$ , $\overline{ARTRY}$ , $\overline{DBB}$ )	-	9.0	-	9.0	-	9.0	ns	4
13b	SYSCLK to output valid ( $\overline{TS}$ , $\overline{ABB}$ , $\overline{ARTRY}$ , $\overline{DBB}$ )	-	8.0	-	8.0	-	8.0	ns	6
14a	SYSCLK to output valid (5.5V to 0.8V—all except $\overline{TS}$ , $\overline{ABB}$ , $\overline{ARTRY}$ , $\overline{DBB}$ )	-	11.0	-	11.0	-	11.0	ns	4
14b	SYSCLK to output valid (all except $\overline{TS}$ , $\overline{ABB}$ , $\overline{ARTRY}$ , $\overline{DBB}$ )	-	9.0	-	9.0	-	9.0	ns	6
15	SYSCLK to output invalid (output hold)	1.0	-	1.0	-	1.0	-	ns	3
16	SYSCLK to output high impedance (all except $\overline{ARTRY}$ , $\overline{ABB}$ , $\overline{DBB}$ )	-	8.5	-	8.0	-	8.0	ns	
17	SYSCLK to $\overline{ABB}$ , $\overline{DBB}$ high impedance after precharge	-	1.0	-	1.0	-	1.0	$t_{sysclk}$	5, 7
18	SYSCLK to $\overline{ARTRY}$ high impedance before precharge	-	8.0	-	7.5	-	7.5	ns	
19	SYSCLK to $\overline{ARTRY}$ precharge enable	0.2 * $t_{sysclk} + 1.0$	-	0.2 * $t_{sysclk} + 1.0$	-	0.2 * $t_{sysclk} + 1.0$	-	ns	3, 5, 8
20	Maximum delay to $\overline{ARTRY}$ precharge	-	1.0	-	1.0	-	1.0	$t_{sysclk}$	5, 8
21	SYSCLK to $\overline{ARTRY}$ high impedance after precharge	-	2.0	-	2.0	-	2.0	$t_{sysclk}$	6, 8

- Notes:
1. All output specifications are measured from the 1.4V of the rising edge of SYSCLK to the TTL level (0.8V or 2.0V) of the signal in question. Both input and output timings are measured at the pin. See Figure 8.
  2. All maximum timing specifications assume  $C_L = 50$  pF.
  3. This minimum parameter assumes  $C_L = 0$  pF.
  4. SYSCLK to output valid (5.5V to 0.8V) includes the extra delay associated with discharging the external voltage from 5.5V to 0.8V instead of from  $V_{dd}$  to 0.8V (5V CMOS levels instead of 3.3V CMOS levels).

5.  $t_{\text{sysclk}}$  is the period of the external bus clock (SYSCLK) in nanoseconds (ns). The numbers given in the table must be multiplied by the period of SYSCLK to compute the actual time duration (in nanoseconds) of the parameter in question.
6. Output signal transitions from GND to 2.0V or  $V_{\text{dd}}$  to 0.8V.
7. Nominal precharge width for  $\overline{\text{ABB}}$  and  $\overline{\text{DBB}}$  is  $0.5 * t_{\text{sysclk}}$ .
8. Nominal precharge width for  $\overline{\text{ARTRY}}$  is  $1.0 * t_{\text{sysclk}}$ .

**Figure 8.** Output Timing Diagram



### JTAG AC Timing Specifications

**Table 13.** JTAG AC Timing Specifications (independent of SYSCLK)

$V_{\text{dd}} = AV_{\text{dd}} = 2.5V \pm 5\%$ ;  $OV_{\text{dd}} = 3.3 \pm 5\%V$  dc, GND = 0V dc,  $C_L = 50$  pF,  $-55^\circ\text{C} \leq T_C \leq 125^\circ\text{C}$

Num	Characteristic	Min	Max	Unit	Notes
	TCK frequency of operation	0	16	MHz	
1	TCK cycle time	62.5	—	ns	
2	TCK clock pulse width measured at 1.4V	25	—	ns	
3	TCK rise and fall times	0	3	ns	
4	$\overline{\text{TRST}}$ setup time to TCK rising edge	13	—	ns	1
5	$\overline{\text{TRST}}$ assert time	40	—	ns	
6	Boundary scan input data setup time	6	—	ns	2
7	Boundary scan input data hold time	27	—	ns	2
8	TCK to output data valid	4	25	ns	3
9	TCK to output high impedance	3	24	ns	3

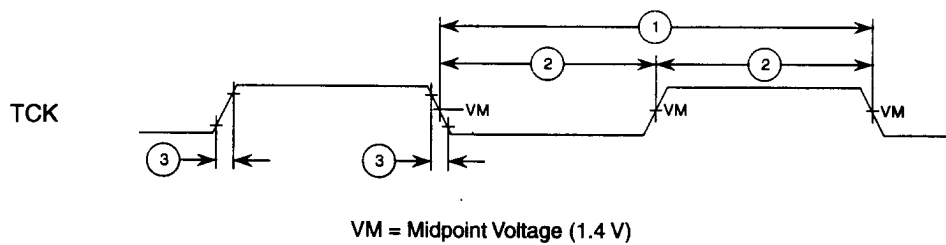
**Table 13.** JTAG AC Timing Specifications (independent of SYSCLK)

$V_{dd} = AV_{dd} = 2.5V \pm 5\%$ ;  $OV_{dd} = 3.3 \pm 5\%V$  dc, GND = 0V dc,  $C_L = 50$  pF,  $-55^\circ C \leq T_C \leq 125^\circ C$

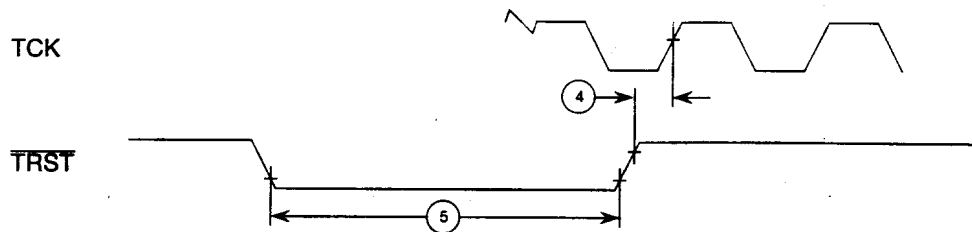
Num	Characteristic	Min	Max	Unit	Notes
10	TMS, TDI data setup time	0	—	ns	
11	TMS, TDI data hold time	25	—	ns	
12	TCK to TDO data valid	4	24	ns	
13	TCK to TDO high impedance	3	15	ns	

- Notes:
1. TRST is an asynchronous signal. The setup time is for test purposes only.
  2. Non-test signal input timing with respect to TCK.
  3. Non-test signal output timing with respect to TCK.

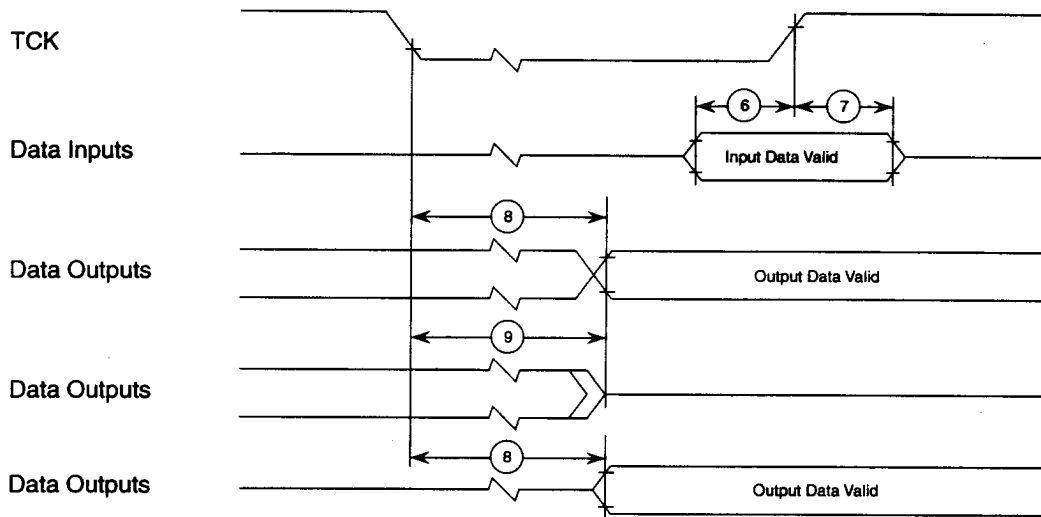
**Figure 9.** Clock Input Timing Diagram



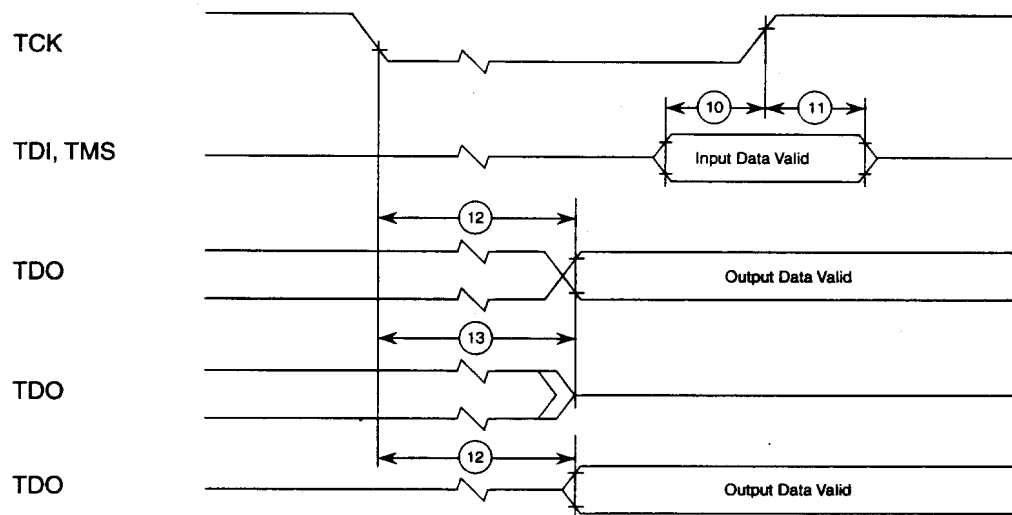
**Figure 10.**  $\overline{TRST}$  Timing Diagram



**Figure 11.** Boundary-scan Timing Diagram



**Figure 12.** Test Access Port Timing Diagram



## Functional Description

### PowerPC Registers and Programming Model

The PowerPC architecture defines register-to-register operations for most computational instructions. Source operands for these instructions are accessed from the registers or are provided as immediate values embedded in the instruction opcode. The three-register instruction format allows specification of a target register distinct from the two source operands. Load and store instructions transfer data between registers and memory.

PowerPC processors have two levels of privilege - supervisor mode of operation (typically used by the operating system) and user mode of operation (used by the application software). The programming models incorporate 32 GPRs, 32 FPRs, special-purpose registers (SPRs) and several miscellaneous registers. Each PowerPC microprocessor also has its own unique set of hardware implementation (HID) registers.

Having access to privilege instructions, registers, and other resources allows the operating system to control the application environment (providing virtual memory and protecting operating-system and critical machine resources). Instructions that control the state of the processor, the address translation mechanism, and supervisor registers can be executed only when the processor is operating in supervisor mode.

The following sections summarize the PowerPC registers that are implemented in the 603r.

- **General-Purpose Registers (GPRs)**

The PowerPC architecture defines 32 user-level, general-purpose registers (GPRs). These registers are either 32 bits wide in 32-bit PowerPC microprocessors and 64 bits wide in 64-bit PowerPC microprocessors. The GPRs serve as the data source or destination for all integer instructions.

- **Floating-Point Registers (FPRs)**

The PowerPC architecture also defines 32 user-level, 64-bit floating-point registers (FPRs). The FPRs serve as the data source or destination for floating-point instructions. These registers can contain data objects of either single- or double-precision floating-point formats.

- **Condition Register (CR)**

The CR is a 32-bit user-level register that consists of eight four-bit fields that reflect the results of certain operations, such as move, integer and floating-point compare, arithmetic, and logical instructions, and provide a mechanism for testing and branching.

- **Floating-Point Status and Control Register (FPSCR)**

The floating-point status and control register (FPSCR) is a user-level register that contains all exception signal bits, exception summary bits, exception enable bits, and rounding control bits needed for compliance with the IEEE 754 standard.

- **Machine State Register (MSR)**

The machine state register (MSR) is a supervisor-level register that defines the state of the processor. The contents of this register are saved when an exception is taken and restored when the exception handling completes. The 603r implements the MSR as a 32-bit register, 64-bit PowerPC processors implement a 64-bit MSR.

- **Segment Registers (SRs)**

For memory management, 32-bit PowerPC microprocessors implement sixteen 32-bit segment registers (SRs). To speed access, the 603r implements the segment registers as two arrays; a main array (for data memory accesses) and a shadow array (for instruction memory accesses). Loading a segment entry with the Move to Segment Register (stsr) instruction loads both arrays.

- **Special-Purpose Registers (SPRs)**

The powerPC operating environment architecture defines numerous special-purpose registers that serve a variety of functions, such as providing controls, indicating status, configuring the processor, and performing special operations. During normal execution, a program can access the registers, shown in Figure 13, depending on the program's access privilege (supervisor or user, determined by the privilege-level (PR) bit in the MSR). Note that register such as the GPRs and FPRs are accessed through operands that are part of the instructions. Access to registers can be explicit (that is, through the use of specific instructions for that purpose such as Move to Special-Purpose Register (mtspr) and Move from Special-Purpose Register





(mfspr) instructions) or implicit, as the part of the execution of an instruction. Some registers are accessed both explicitly and implicitly.

In the 603r, all SPRs are 32 bits wide.

**USER-LEVEL SPRs:** The following 603r SPRs are accessible by user-level software:

- Link register (LR) - The link register can be used to provide the branch target address and to hold the return address after branch and link instructions. The LR is 32 bits wide in 32-bit implementations.
- Count register (CTR) - The CTR is decremented and tested automatically as a result of branch-and-count instructions. The CTR is 32 bits wide in 32-bit implementations.
- Integer exception register (XER) - The 32-bit XER contains the summary overflow bit, integer carry bit, overflow bit, and a field specifying the number of bytes to be transferred by a Load String Word Indexed (lswx) or Store String Word Indexed (stswx) instruction.

**SUPERVISOR-LEVEL SPRs:** The 603r also contains SPRs that can be accessed only by supervisor-level software. These registers consist of the following:

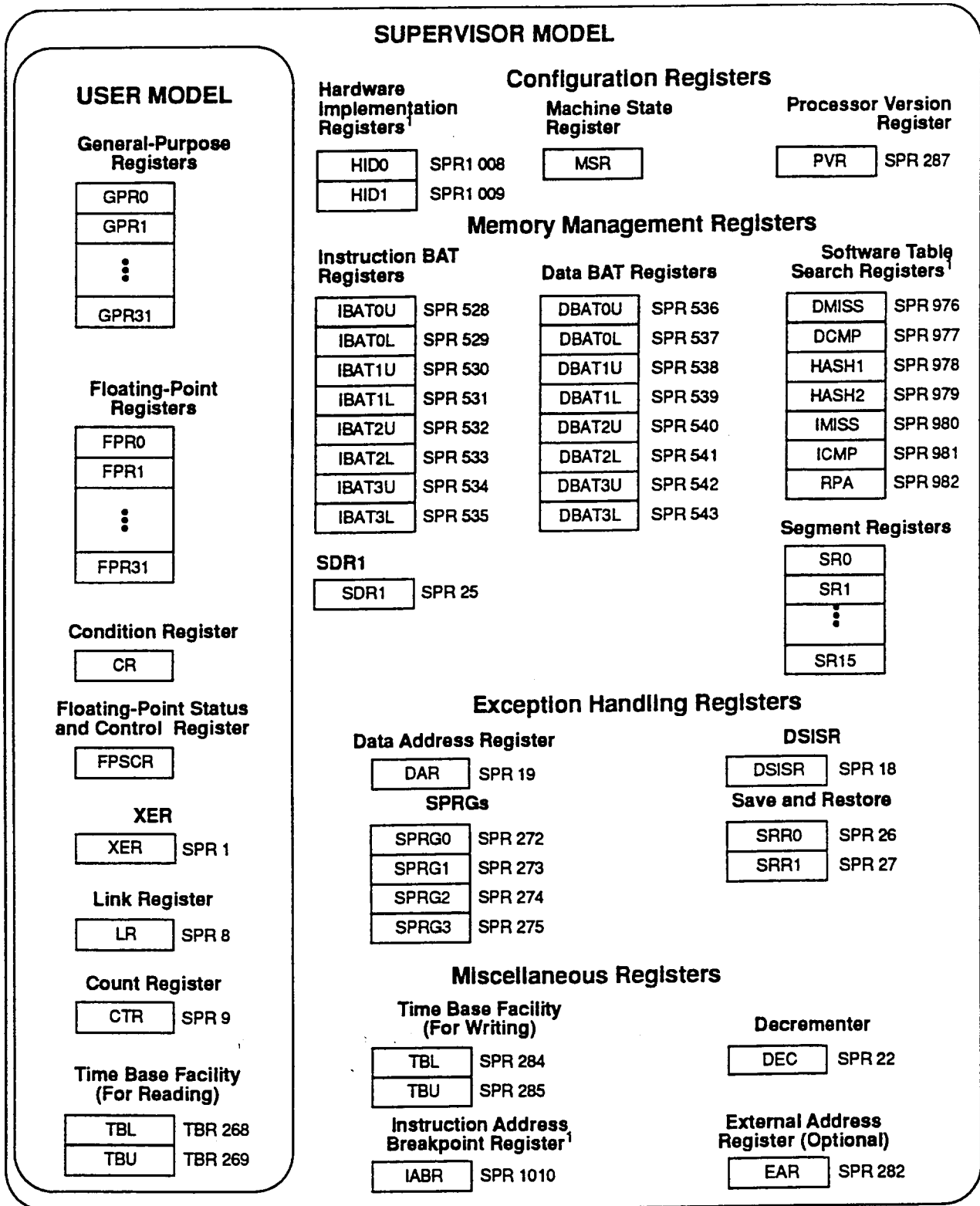
- The 32-bit DSISR defines the cause of data access and alignment exceptions.
- The data address register (DAR) is a 32-bit register that holds the address of an access after an alignment or DSI exception.
- Decrementer register (DEC) is a 32-bit decrementing counter that provides a mechanism for causing a decrementer exception after a programmable delay.
- The 32-bit SDR1 specifies the page table format used in virtual-to-physical address translation for pages. (Note that physical address is referred to as real address in the architecture specification).
- The machine status save/restore register 0 (SRR0) is a 32-bit register that is used by the 603r for saving the address of the instruction that caused the exception, and the address to return to when a Return from Interrupt (rfi) instruction is executed.
- The machine status save/restore register 1 (SRR1) is a 32-bit register used to save machine status on exceptions and to restore machine status when an rfi instruction is executed.
- The 32-bit SPRG0-SPRG3 registers are provided for operating system use.
- The external access register (EAR) is a 32-bit register that controls access to the external control facility through the External Control In Word Indexed (**eciwx**) and External Control Out Word Indexed (**ecowx**) instructions.
- The time base register (TB) is a 64-bit register that maintains the time of day and operates interval timers. The TB consists of two 32-bit fields - time base upper (TBU) and time base lower (TBL).
- The processor version register (PVR) is a 32-bit, read-only register that identifies the version (model) and revision level of the PowerPC processor.
- Block address translation (BAT) arrays - The PowerPC architecture defines 16 BAT registers, divided into four pairs of data BATs (DBATs) and four pairs of instruction BATs (IBATs). See Figure 13 for a list of the SPR numbers for the BAT arrays.
- The following supervisor-level SPRs are implementation-specific to the 603r:
- The DMIS and IMIS registers are read-only registers that are loaded automatically upon an instruction or data TLB miss.
- The HASH1 and HASH2 registers contain the physical addresses of the primary and secondary page table entry groups (PTEGs).
- The ICMP and DCMP registers contain a duplicate of the first word in the page table entry (PTE) for which the table search is looking.



- The required physical address (RPA) register is loaded by the processor with the second word of the correct PTE during a page table search.
- The hardware implementation (HID0 and HID1) registers provide the means for enabling the 603r's checkstops and features, and allows software to read the configuration of the PLL configuration signals.
- The instruction address breakpoint register (IABR) is loaded with an instruction address that is compared to instruction addresses in the dispatch queue. When an address match occurs, an instruction address breakpoint exception is generated.

Figure 13 shows all the 603r registers available at the user and supervisor level. The number to the right of the SPRs indicate the number that is used in the syntax of the instruction operands to access the register.

Figure 13. PowerPC Microprocessor Programming Model - Register



## Instruction Set and Addressing Modes

The following subsections describe the PowerPC instruction set and addressing modes in general.

- **PowerPC Instruction Set and Addressing Modes**

All PowerPC instructions are encoded as single-word (32-bit) opcodes. Instruction formats are consistent among all instruction types, permitting efficient decoding to occur in parallel with operand accesses. This fixed instruction length and consistent format greatly simplifies instruction pipelining.

**PowerPC INSTRUCTION SET:** The PowerPC instructions are divided into the following categories:

- **Integer instructions** - These include computational and logical instructions.
  - Integer arithmetic instructions.
  - Integer compare instructions.
  - Integer logical instructions.
  - Integer rotate and shift instructions.
- **Floating-point instructions** - These include floating-point computational instructions, as well as instructions that affect the FPSCR.
  - Floating-point arithmetic instructions.
  - Floating-point multiply/add instructions.
  - Floating-point rounding and conversion instructions.
  - Floating-point compare instructions.
  - Floating-point status and control instructions.
- **Load/store instructions** - These include integer and floating-point load and store instructions.
  - Integer load and store instruction.
  - Integer load and store multiple instructions.
  - Floating-point load and store.
  - Primitives used to construct atomic memory operations (**lwarx** and **stwcx** instructions).
- **Flow control instructions** - These include branching instructions, condition register logical instructions, trap instructions, and other instructions that affect the instruction flow.
  - Branch and trap instructions.
  - Condition register logical instructions.
- **Processor control instructions** - These instructions are used for synchronizing memory accesses and management of caches, TLBs, and the segment registers.
  - Move to/from SPR instructions.
  - Move to/from MSR.
  - Synchronize.
  - Instruction synchronize.
- **Memory control instruction** - These instructions provide control of caches, TLBs, and segment registers.
  - Supervisor-level cache management instructions.
  - User-level cache instructions.
  - Segment register manipulation instructions.
  - Translation look aside buffer management instructions.



Note that this grouping of the instructions does not indicate which execution unit executes a particular instruction or group of instructions.

Integer instructions operate on byte, half-word, and word operands. Floating-point instructions operate on single-precision (one word) and double-precision (one double word) floating-point operands. The PowerPC architecture uses instructions that are four bytes long and word-aligned. It provides for byte, half-word, and word operand loads and stores between memory and a set of 32 GPRs. It also provides for word and double-word operand loads and stores between memory and a set of 32 floating-point registers (FPRs).

Computational instructions do not modify memory. To use a memory operand in a computation and then modify the same or another memory location, the memory contents must be loaded into a register, modified, and then written back to the target location with distinct instructions.

PowerPC processors follow the program flow when they are in the normal execution state. However, the flow of instructions can be interrupted directly by the execution of an instruction or by an asynchronous event. Either kind of exception may cause one of several components of the system software to be invoked.

**CALCULATING EFFECTIVE ADDRESSES:** The effective address (EA) is the 32-bit address computed by the processor when executing a memory access or branch instruction or when fetching the next sequential instruction.

The PowerPC architecture supports two simple memory addressing modes:

- $EA = (RA|0) + \text{offset}$  (including offset = 0) (register indirect with immediate index).
- $EA = (RA|0) + rB$  (register indirect with index).

These simple addressing modes allow efficient address generation for memory accesses. Calculation of the effective address for aligned transfers occurs in a single clock cycle.

For a memory access instruction, if the sum of the effective address and the operand length exceeds the maximum effective address, the memory operand is considered to wrap around from the maximum effective address to effective address 0.

Effective address computations for both data and instruction accesses use 32-bit unsigned binary arithmetic. A carry from bit 0 is ignored in 32-bit implementations.

- **PowerPC 603r Microprocessor Instruction Set**

The 603r instruction set is defined as follows:

- The 603r provides hardware support for all 32-bit PowerPC instructions.
- The 603r provides two implementation-specific instructions used for software table search operations following TLB misses:
  - Load Data TLB Entry (**tlbld**).
  - Load Instruction TLB Entry (**tlbli**).
- The 603r implements the following instructions which are defined as optional by the PowerPC architecture :
  - External Control In Word Indexed (**eciwx**).
  - External Control Out Word Indexed (**ecowx**).
  - Floating Select (**fsed**).
  - Floating Reciprocal Estimate Single-Precision (**fred**).
  - Floating Reciprocal Square Root Estimate (**frsqrte**).
  - Store Floating-Point as Integer Word (**stfiwx**).

## Cache Implementation

The following subsections describe the PowerPC architecture's treatment of cache in general, and the 603r specific implementation, respectively.

### • PowerPC Cache Characteristics

The PowerPC architecture does not define hardware aspects of cache implementations. For example, some PowerPC processors, including the 603r, have separate instruction and data caches (hardware architecture), while others, such as the PowerPC 601™ microprocessor, implement a unified cache.

PowerPC microprocessor control the following memory access modes on a page or block basis:

- Write-back/write-through mode.
- Cache-inhibited mode.
- Memory coherency.

Note that in the 603r, a cache line is defined as eight words. The VEA defines cache management instructions that provide a means by which the application programmer can affect the cache contents.

### • PowerPC 603r Microprocessor Cache Implementation

The 603r has two 16-Kbyte, four-way set-associative (instruction and data) caches. The caches are physically addressed, and the data cache can operate in either write-back or write-through mode as specified by the PowerPC architecture.

The data cache is configured as 128 sets of 4 lines each. Each line consists of 32 bytes, two state bits, and an address tag. The two state bits implement the three-state MEI (modified/exclusive/invalid) protocol. Each line contains eight 32-bit words. Note that the PowerPC architecture defines the term block as the cacheable unit. For the 603r, the block size is equivalent to a cache line. A block diagram of the data cache organization is shown in Figure 14.

The instruction cache also consists of 128 sets of 4 lines, and each line consists of 32 bytes, an address tag, and a valid bit. The instruction cache may not be written to except through a line fill operation. The instruction cache is not snooped, and cache coherency must be maintained by software. A fast hardware invalidation capability is provided to support cache maintenance. The organization of the instruction cache is very similar to the data cache shown in Figure 14.

Each cache line contains eight contiguous words from memory that are loaded from an 8-word boundary (that is, bits A27-A32 of the effective addresses are zero); thus, a cache line never crosses a page boundary. Misaligned accesses across a page boundary can incur a performance penalty.

The 603's cache lines are loaded in four beats of 64 bits each. The burst load is performed as "critical double word first". The cache that is being loaded is blocked to internal accesses until the load completes. The critical double word is simultaneously written to the cache and forwarded to the requesting unit, thus minimizing stalls due to load delays.

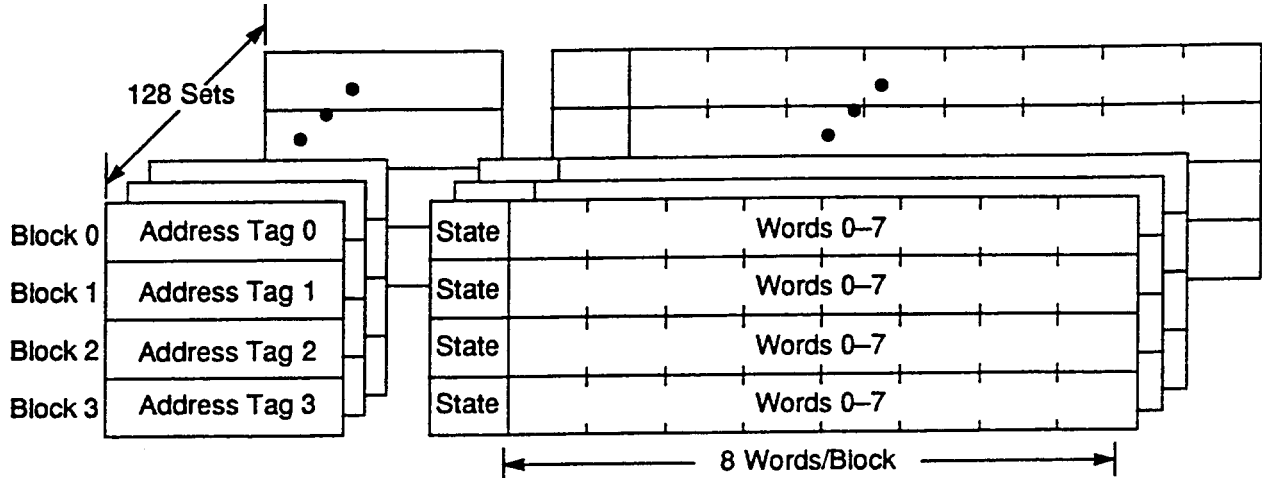
To ensure coherency among caches in a multiprocessor (or multiple caching-device) implementation, the 603r implements the MEI protocol. These three states, modified, exclusive, and invalid, indicate the state of the cache block as follows:

- **Modified** - The cache line is modified with respect to system memory; that is, data for this address is valid only in the cache and not in system memory.
- **Exclusive** - This cache line holds valid data that is identical to the data at this address in system memory. No other cache has this data.
- **Invalid** - This cache line does not hold valid data.



Cache coherency is enforced by on-chip bus snooping logic. Since the 603r's data cache tags are single ported, a simultaneous load or store and snoop access represent a resource contention. The snoop access is given first access to the tags. The load or store then occurs on the clock following snoop.

Figure 14. Data Cache Organization



### Exception Model

The following subsections describe the PowerPC exception model and the 603r implementation, respectively.

- **PowerPC Exception Model**

The PowerPC exception mechanism allows the processor to change to supervisor state as a result of external signals, errors, or unusual conditions arising in the execution of instructions, and differ from the arithmetic exceptions defined by the IEEE for floating-point operations. When exceptions occur, information about the state of the processor is saved to certain registers and the processor begins execution at an address (exception vector) predetermined for each exception. Processing of exceptions occurs in supervisor mode.

Although multiple exception conditions can map to a single exception vector, a more specific condition may be determined by examining a register associated with the exception - for example, the DSISR and the FPSCR. Additionally, some exception conditions can be explicitly enable or disabled by software.

The PowerPC architecture requires that exceptions be handled in program order; therefore, although a particular implementation may recognize exception conditions out of order, they are presented strictly in order. When an instruction-caused exception is recognized, any unexecuted instructions that appear earlier in the instruction stream, including any that have not yet entered the execute state, are required to complete before the exception is taken. Any exceptions caused by those instructions are handled first. Likewise, exceptions that are asynchronous and precise are recognized when they occur, but are not handled until the instruction currently in the completion state successfully completes execution or generates an exception, and the completed store queue is emptied.

Unless a catastrophic causes a system reset or machine check exception, only one exception is handled at a time. If, for example, a single instruction encounters multiple exception conditions, those conditions are encountered sequentially. After the exception handler handles an exception, the instruction execution continues until the next exception condition is encountered. However, in many cases there is no attempt to re-execute the instruction. This method of recognizing and handling exception conditions sequentially guarantees that exceptions are recoverable.

Exception handlers should save the information stored in SRR0 and SRR1 early to prevent the program state from being lost due to a system reset and machine check exception or to an instruction-caused exception in the exception handler, and before enabling external interrupts.

The PowerPC architecture support four types of exceptions:

- **Synchronous, precise** - These are caused by instructions. All instruction-caused exceptions are handled precisely; that is, the machine state at the time the exception occurs is known and can be completely restored. This means that (excluding the trap and system call exceptions) the address of the faulting instruction is provided to the exception handler and that neither the faulting instruction nor subsequent instructions in the code stream will complete execution before the exception is taken. Once the exception is processed, execution resumes at the address of the faulting instruction (or at an alternate address provided by the exception handler). When an exception is taken due to a trap or system call instruction, execution resumes at an address provided by the handler.
- **Synchronous, imprecise** - The PowerPC architecture defines two imprecise floating-point exception modes, recoverable and nonrecoverable. Even though the 603r provides a means to enable the imprecise modes, it implements these modes identically to the precise mode (that is, all enabled floating-point enabled exceptions are always precise on the 603r).
- **Asynchronous, maskable** - The external, SMI, and decrementer interrupts are maskable asynchronous exceptions. When these exceptions occur, their handling is postponed until the next instruction, and any exceptions associated with that instruction, completes execution. If there are no instructions in the execution units, the exception is taken immediately upon determination of the correct restart address (for loading SRR0).
- **Asynchronous, non maskable** - There are two non maskable asynchronous exceptions: system reset and the machine check exception. These exceptions may not be recoverable, or may provide a limited degree of recoverability. All exceptions report recoverability through the SMR[RI] bit.

- **PowerPC 603r Microprocessor Exception Model**

As specified by the PowerPC architecture, all 603r exceptions can be described as either precise or imprecise and either synchronous or asynchronous. Asynchronous exceptions (some of which are maskable) are caused by events external to the processor's execution; synchronous exceptions, which are all handled precisely by the 603r, are caused by instructions. The 603r exception classes are shown in Table 14.



**Table 14.** PowerPC 603r Microprocessor Exception Classifications

Synchronous/Asynchronous	Precise/Imprecise	Exception Type
Asynchronous, Non Maskable	Imprecise	Machine check System reset
Asynchronous, Maskable	Precise	External interrupt Decrementer System management interrupt
Synchronous	Precise	Instruction-caused exceptions

Although exceptions have other characteristics as well, such as whether they are maskable or non maskable, the distinctions shown in Table 14 define categories of exceptions that the 603r handles uniquely. Note that Table 14 includes no synchronous imprecise instructions. While the PowerPC architecture supports imprecise handling of floating-point exceptions, the 603r implements these exception modes as precise exceptions.

The 603r's exceptions, and conditions that cause them, are listed in Table 15. Exceptions that are specific to the 603r are indicated.

**Table 15.** Exceptions and Conditions

Exception Type	Vector Offset (hex)	Causing Conditions
Reserved	00000	—
System Reset	00100	A system reset is caused by the assertion of either SRESET or HRESET.
Machine Check	00200	A machine check is caused by the assertion of the TEA signal during a data bus transaction, assertion of MCP, or an address or data parity error.
DSI	00300	The cause of a DSI exception can be determined by the bit settings in the DSISR, listed as follows: 1 Set if the translation of an attempted access is not found in the primary hash table entry group (HTEG), or in the rehashed secondary HTEG, or in the range of the DBAT register; otherwise cleared. 4 Set if a memory access is not permitted by the page or DBAT protection mechanism; otherwise cleared. 5 Set by an ecixw or ecowx instruction if the access is to an address that is marked as write-through, or execution of a load/store instruction that accesses a direct-store segment. 6 Set for a store operation and cleared for a load operation. 11 Set if ecixw or ecowx is used and EAR[E] is cleared.
ISI	00400	An ISI exception is caused when an instruction fetch cannot be performed for any of the following reasons: • The effective (logical) address cannot be translated. That is, there is a page fault for this portion of the translation, so an ISI exception must be taken to load the PTE (and possibly the page) into memory. • The fetch access violates memory protection. If the key bits (Ks and Kp) in the segment register and the PP bits in the PTE are set to prohibit read access, instructions cannot be fetched from this location.
External interrupt	00500	An external interrupt is caused when MSR[EE] = 1 and the INT signal is asserted.



**Table 15.** Exceptions and Conditions (Continued)

Exception Type	Vector Offset (hex)	Causing Conditions
Alignment	00600	An alignment exception is caused when the 603e cannot perform a memory access for any of the reasons described below: <ul style="list-style-type: none"> <li>• The operand of a floating-point load or store instruction is not word-aligned.</li> <li>• The operand of lmw, stmw, lwarx, and stwxc, instructions are not aligned.</li> <li>• The operand of a single-register load or store operation is not aligned, and the 603e is in little-endian mode.</li> <li>• The instruction is lmw, stmw, lswi, lwsx, stswi, stswx and the 603e is in little-endian mode.</li> <li>• The operand of dcbz is in storage that is write-through-required, or caching inhibited.</li> </ul>
Program	00700	A program exception is caused by one of the following exception conditions, which correspond to bit settings in SRR1 and arise during execution of an instruction: <ul style="list-style-type: none"> <li>• Floating-point enabled exception—A floating-point enabled exception condition is generated when the following condition is met: (MSR[FE0]   MSR[FE1]) &amp; FPSCR[FEX] is 1. FPSCR[FEX] is set by the execution of a floating-point instruction that causes an enabled exception or by the execution of one of the “move to FPSCR” instructions that results in both an exception condition bit and its corresponding enable bit being set in the FPSCR.</li> <li>• Illegal instruction—An illegal instruction program exception is generated when execution of an instruction is attempted with an illegal opcode or illegal combination of opcode and extended opcode fields (including PowerPC instructions not implemented in the 603e), or when execution of an optional instruction not provided in the 603e is attempted (these do not include those optional instructions that are treated as no-ops).</li> <li>• Privileged instruction—A privileged instruction type program exception is generated when the execution of a privileged instruction is attempted and the MSR register user privilege bit, MSR[PR], is set. In the 603e, this exception is generated for mtspr or mfspr with an invalid SPR field if SPR[0] = 1 and MSR[PR] = 1. This may not be true for all PowerPC processors.</li> <li>• Trap—A trap type program exception is generated when any of the conditions specified in a trap instruction is met.</li> </ul>
Floating-point unavailable	00800	A floating-point unavailable exception is caused by an attempt to execute a floating-point instruction (including floating-point load, store, and more instructions) when the floating-point available bit is disabled, (MSR[FP] = 0).
Decrementer	00900	The decrementer exception occurs when the most significant bit of the decrementer (DEC) register transitions from 0 to 1. Must also be enabled with the MSR[EE] bit.
Reserved	00A00–00BFF	—
System call	00C00	A system call exception occurs when a System Call (sc) instruction is executed.
Trace	00D00	A trace execution is taken when MSR[SE] = 1 or when the currently completing instruction is a branch and MSR[BE] = 1.
Reserved	00E00	The 603e does not generate an exception to this vector. Other PowerPC processors may use this vector for floating-point assist exceptions.
Reserved	00E10–00FFF	—
Instruction translation miss	01000	An instruction translation miss exception is caused when an effective address for an instruction fetch cannot be translated by the ITLB.
Data load translation miss	01100	A data load translation miss exception is caused when an effective address for a data load operation cannot be translated by the DTLB.
Data store translation miss	01200	A data store translation miss exception is caused when an effective address for a data store operation cannot be translated by the DTLB; or where a DTLB hit occurs, and the change

**Table 15.** Exceptions and Conditions (Continued)

Exception Type	Vector Offset (hex)	Causing Conditions
Instruction address breakpoint	01300	An instruction address breakpoint exception occurs when the address (bits 0-29) in the IABR matches the next instruction to complete in the completion unit, and the IABR enable bit (bit 30) is set to 1.
System management interrupt	01400	A system management interrupt is caused when MSR[EE] = 1 and the $\overline{\text{SMI}}$ input signal is asserted.
Reserved	01500–02FFF	—

## Memory Management

The following subsections describe the memory management features of the PowerPC architecture, and the 603r implementation, respectively.

### • PowerPC Memory Management

The primary functions of the MMU are to translate logical (effective) addresses to physical addresses for memory accesses, and to provide access protection on blocks and pages of memory.

There are two types of accesses generated by the 603r that require address translation—instruction accesses, and data accesses to memory generated by load and store instructions.

The PowerPC MMU and exception model support demand-paged virtual memory. Virtual memory management permits execution of programs larger than the size of physical memory; demand-paged implies that individual pages are loaded into physical memory from system memory only when they are first accessed by an executing program.

The hashed page table is a variable-sized data structure that defines the mapping between virtual page numbers and physical page numbers. The page table size is a power of 2, and its starting address is a multiple of its size.

The page table contains a number of page table entry groups (PTEGs). A PTEG contains eight page table entries (PTEs) of eight bytes each; therefore, each PTEG is 64 bytes long. PTEG addresses are entry points for table search operations.

Address translations are enabled by setting bits in the MSR—MSR[IR] enables instruction address translations and MSR[DR] enables data address translations.

### • PowerPC 603r Microprocessor Memory Management

The instruction and data memory management units in the 603r provide 4G byte of logical address space accessible to supervisor and user programs with a 4K byte page size and 256M byte segment size. Block sizes range from 128K byte to 256M byte and are software selectable. In addition, the 603r uses an interim 52-bit virtual address and hashed page tables for generating 32-bit physical addresses. The MMUs in the 603r rely on the exception processing mechanism for the implementation of the paged virtual memory environment and for enforcing protection of designated memory areas.

Instruction and data TLBs provide address translation in parallel with the on-chip cache access, incurring no additional time penalty in the event of a TLB hit. A TLB is a cache of the most recently used page table entries. Software is responsible for maintaining the consistency of the TLB with memory. The 603r's TLBs are 64-entry, two-way set-associative caches that contain instruction and data address translations. The 603r provides hardware assist for software table search operations through the hashed page table on TLB misses. Supervisor software can invalidate TLB entries selectively.

The 603r also provides independent four-entry BAT arrays for instructions and data that maintain address translations for blocks of memory. These entries define blocks that can vary from 128K byte to 256M byte. The BAT arrays are maintained by system software.

As specified by the PowerPC architecture, the hashed page table is a variable-sized data structure that defines the mapping between virtual page numbers and physical page numbers. The page table size is a power of 2, and its starting address is a multiple of its size.

Also as specified by the PowerPC architecture, the page table contains a number of page table entry groups (PTEGs). A PTEG contains eight page table entries (PTEs) of eight bytes each; therefore, each PTEG is 64 bytes long. PTEG addresses are entry points for table search operations.

## Instruction Timing

The 603r is a pipelined superscalar processor. A pipelined processor is one in which the processing of an instruction is reduced into discrete stages. Because the processing of an instruction is broken into a series of stages, an instruction does not require the entire resources of an execution unit. For example, after an instruction completes the decode stage, it can pass on to the next stage, while the subsequent instruction can advance into the decode stage. This improves the throughput of the instruction flow. For example, it may take three cycles for a floating-point instruction to complete, but if there are no stalls in the floating-point pipeline, a series of floating-point instructions can have a throughput of one instruction per cycle.

The instruction pipeline in the 603r has four major pipeline stages, described as follows:

- The fetch pipeline stage primarily involves retrieving instructions from the memory system and determining the location of the next instruction fetch. Additionally, the BPU decodes branches during the fetch stage and folds out branch instructions before the dispatch stage if possible.
- The dispatch pipeline stage is responsible for decoding the instructions supplied by the instruction fetch stage, and determining which of the instructions are eligible to be dispatched in the current cycle. In addition, the source operands of the instructions are read from the appropriate register file and dispatched with the instruction to the execute pipeline stage. At the end of the dispatch pipeline stage, the dispatched instructions and their operands are latched by the appropriate execution unit.
- During the execute pipeline stage each execution unit that has an executable instruction executes the selected instruction (perhaps over multiple cycles), writes the instruction's result into the appropriate rename register, and notifies the completion stage that the instruction has finished execution. In the case of an internal exception, the execution unit reports the exception to the completion/writeback pipeline stage and discontinues instruction execution until the exception is handled. The exception is not signaled until that instruction is the next to be completed. Execution of most floating-point instructions is pipelined within the FPU allowing up to three instructions to be executing in the FPU concurrently. The pipeline stages for the floating-point unit are multiply, add, and round-convert. Execution of most load/store instructions is also pipelined. The load/store units has two pipeline stages. The first stage is for effective address calculation and MMU translation and the second stage is for accessing the data in the cache.
- The complete/writeback pipeline stage maintains the correct architectural machine state and transfers the contents of the rename registers to the GPRs and FPRs as instructions are retired. If the completion logic detects an instruction causing an exception, all following instructions are cancelled, their execution results in rename registers are discarded, and instructions are fetched from the correct instruction stream.



A superscalar processor is one that issues multiple independent instructions into multiple pipelines allowing instructions to execute in parallel. The 603r has five independent execution units, one each for integer instructions, floating-point instructions, branch instructions, load/store instructions, and system register instructions. The IU and the FPU each have dedicated register files for maintaining operands (GPRs and FPRs, respectively), allowing integer calculations and floating-point calculations to occur simultaneously without interference.

Because the PowerPC architecture can be applied to such a wide variety of implementations, instruction timing among various PowerPC processors varies accordingly.

## Preparation for Delivery

### Packaging

Microcircuits are prepared for delivery in accordance with MIL-PRF-38535.

### Certificate of Compliance

ATMEL-Grenoble offers a certificate of compliances with each shipment of parts, affirming the products are in compliance either with MIL-STD-883 and guarantying the parameters not tested at temperature extremes for the entire temperature range.

### Handling

MOS devices must be handled with certain precautions to avoid damage due to accumulation of static charge. Input protection devices have been designed in the chip to minimize the effect of this static buildup. However, the following handling practices are recommended:

1. Devices should be handled on benches with conductive and grounded surfaces.
2. Ground test equipment, tools and operator.
3. Do not handle devices by the leads.
4. Store devices in conductive foam or carriers.
5. Avoid use of plastic, rubber, or silk in MOS areas.
6. Maintain relative humidity above 50 percent if practical.

## Packages Mechanical Data

The following sections provide the package parameters and mechanical dimensions for the CBGA packages.

### CBGA Package Parameters

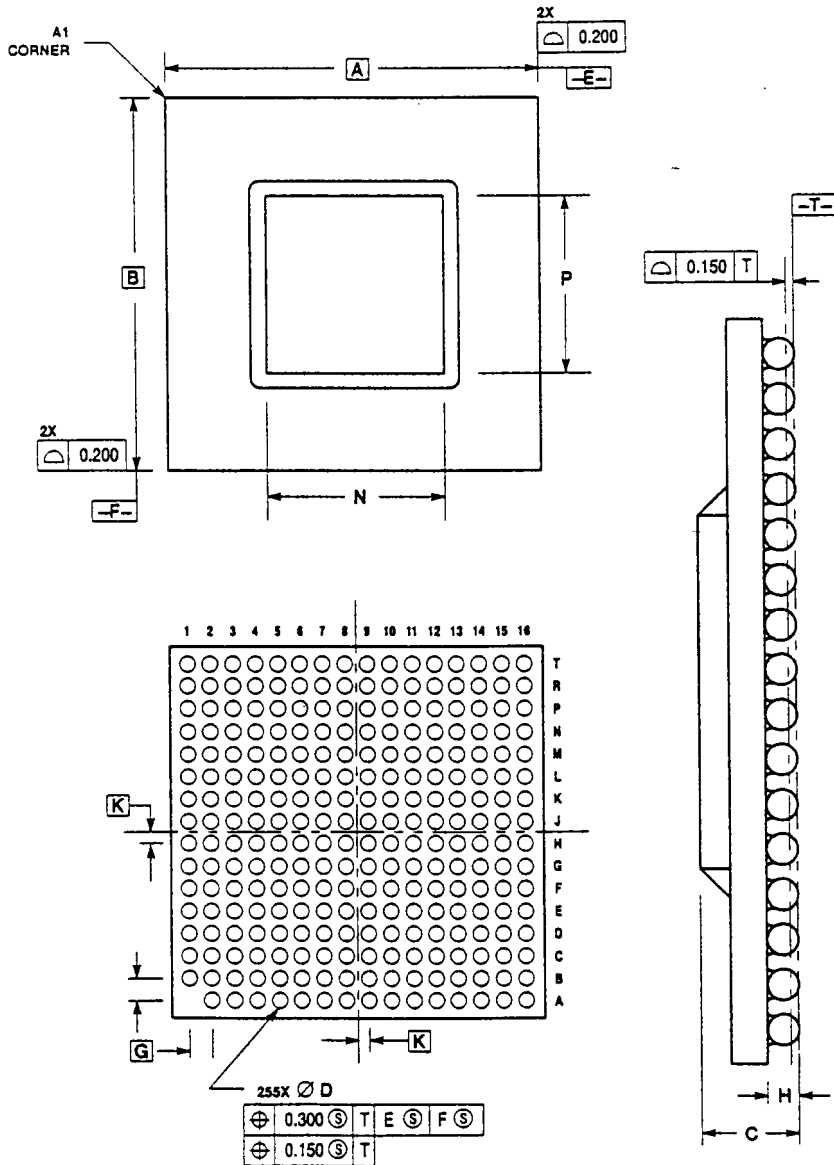
The package parameters are as provided in the following list. The package type is 21 mm, 255-lead ceramic ball grid array (CBGA).

Package outline	21 mm x 21 mm
Interconnects	255
Pitch	1.27 mm
Maximum module height	3.00 mm

## Mechanical dimensions of the CBGA package

Figure 15 provides the mechanical dimensions and bottom surface nomenclature of the CBGA package.

Figure 15. Mechanical Dimensions and Bottom Surface Nomenclature of the CBGA Package



Notes: 1. Dimensioning and tolerancing per ASME Y14.5M—1994.  
2. Controlling dimension: millimeter

Dim	Millimeters		Inches	
	Min	Max	Min	Max
A	21.000 BSC		0.827 BSC	
B	21.000 BSC		0.827 BSC	
C	2.450	3.000	0.097	0.118
D	0.820	0.930	0.032	0.036
G	1.270 BSC		0.050 BSC	
H	0.790	0.990	0.031	0.039
K	0.635 BSC		0.025 BSC	
N	5.000	16.000	0.197	0.630
P	5.000	16.000	0.197	0.630

## CI-CGA Package Parameters

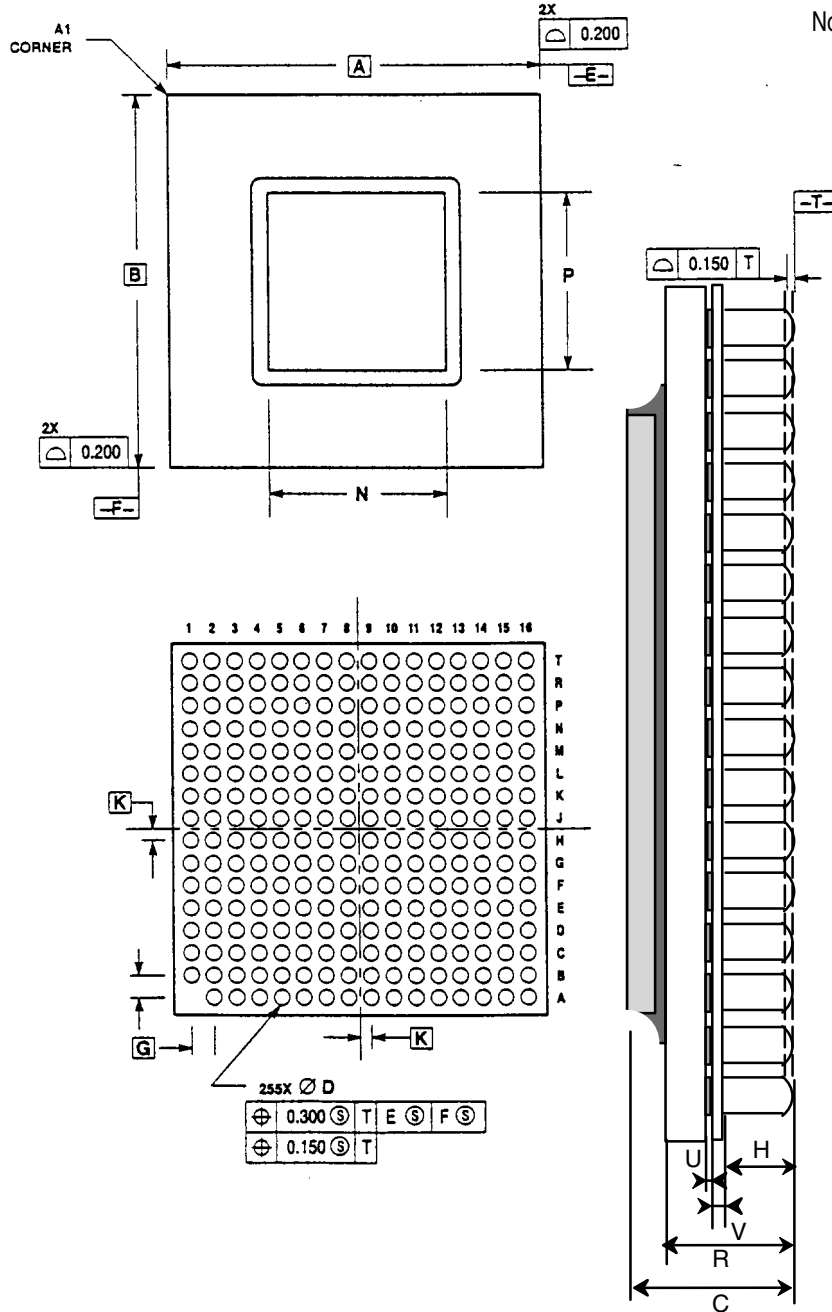
The package parameters are as provided in the following list. The package type is 21 mm, 255-lead ceramic ball grid array (CI-CGA).

Package outline	21 mm x 21 mm
Interconnects	255
Pitch	1.27 mm
Typical module height	3.84 mm

### Mechanical Dimensions of the CI-CGA Package

Figure 16 provides the mechanical dimensions and bottom surface nomenclature of the CBGA package.

Figure 16. Mechanical Dimensions and Bottom Surface Nomenclature of the CI-CGA Package



Notes: 1. Dimensioning and tolerancing per ASME Y14.5M—1994.  
2. Controlling dimension: millimeter.

Dim	Millimeters	
	Min	Max
A	21.000 BSC	
B	21.000 BSC	
C	3.84 BSC	
D	0.790	0.990
G	1.270 BSC	
H	1.545	1.695
K	0.635 BSC	
N	5.000	16.000
P	5.000	16.000
R	3.02 BSC	
U	0.10 BSC	
V	0.25	0.35

## Clock Relationships Choice

The 603r microprocessors offer customers numerous clocking options. An internal phase-lock loop synchronizes the processor (CPU) clock to the bus or system clock (SYSCLK) at various ratios.

Inside each PowerPC microprocessor is a phase-lock loop circuit. A voltage controlled oscillator (VCO) is precisely controlled in frequency and phase by a frequency/phase detector which compares the input bus frequency (SYSCLK frequency) to a submultiple of the VCO.

The ratio of CPU to SYSCLK frequencies is often referred to as the bus mode (for example, 2:1 bus mode).

In the Table 16, the horizontal scale represents the bus frequency (SYSCLK) and the vertical scale represents the PLL-CFG[0-3] signals.

For a given SYSCLK (bus) frequency, the PLL configuration signals set the internal CPU and VCO frequency of operation.

**Table 16.** CPU Frequencies for Common Bus Frequencies and Multipliers

PLL_CFG[0-3]	CPU Frequency in MHZ (VCO Frequency in MHZ)								
	Bus-to-Core Multiplier	Core-to-VCO Multiplier	Bus 25 MHz	Bus 33.33 MHz	Bus 40 MHz	Bus 50 MHz	Bus 60 MHz	Bus 66.67 MHz	Bus 75 MHz
0100	2x	2x	-	-	-	-	-	-	150 (300)
0101	2x	4x	-	-	-	-	-	-	-
0110	2.5x	2x	-	-	-	-	150 (300)	166 (333)	187 (375)
1000	3x	2x	-	-	-	150 (300)	180 (360)	200 (400)	225 (450)
1110	3.5x	2x	-	-	-	175 (350)	210 (420)	233 (466)	263 (525)
1010	4x	2x	-	-	160 (320)	200 (400)	240 (480)	267 (533)	300 (600)
0111	4.5x	2x	-	150 (300)	180 (360)	225 (450)	270 (540)	300 (600)	-
1011	5x	2x	-	166 (333)	200 (400)	250 (500)	300 (600)	-	-
1001	5.5x	2x	-	183 (366)	220 (440)	275 (550)	-	-	-
1101	6x	2x	150 (300)	200 (400)	240 (480)	300 (600)	-	-	-
0011	PLL bypass								
1111	Clock off								

- Notes:
1. Some PLL configurations may select bus, CPU or VCO frequencies which are not supported
  2. In PLL-bypass mode, the SYSCLK input signal clocks the internal processor directly, the PLL is disabled, and the bus mode is set for 1:1 mode operation. This mode is intended for factory use only.  
**Note:** the AC timing specifications given in this document do not apply in PLL-bypass mode.
  3. In clock-off mode, no clocking occurs inside the 603e regardless of the SYSCLK input.

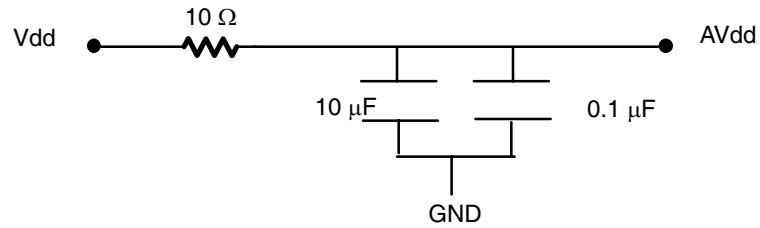


## System Design Information

### PLL Power Supply Filtering

The  $AV_{dd}$  power signal is provided on the 603e to provide power to the clock generation phase-locked loop. To ensure stability of the internal clock, the power supplied to the  $AV_{dd}$  input signal should be filtered using a circuit similar to the one shown in Figure 17. The circuit should be placed as close to the  $AV_{dd}$  pin to ensure it filters out as much noise as possible. The  $0.1\ \mu\text{F}$  capacitor should be closest to the  $AV_{dd}$  pin, followed by the  $10\ \mu\text{F}$  capacitor, and finally the  $10\ \Omega$  resistor to  $V_{dd}$ . These traces should be kept short and direct.

**Figure 17.** PLL Power Supply Filter Circuit



### Decoupling Recommendations

Due to the 603e's dynamic power management feature, large address and data buses, and high operating frequencies, the 603e can generate transient power surges and high frequency noise in its power supply, especially while driving large capacitive loads. This noise must be prevented from reaching other components in the 603e system, and the 603e itself requires a clean, tightly regulated source of power. Therefore, it is recommended that the system designer place at least one decoupling capacitor at each  $V_{dd}$  and  $OV_{dd}$  pin of the 603e. It is also recommended that these decoupling capacitors receive their power from separate  $V_{dd}$ ,  $OV_{dd}$ , and GND power planes in the PCB, utilizing short traces to minimize inductance.

These capacitors should vary in value from  $220\ \text{pF}$  to  $10\ \mu\text{F}$  to provide both high-and low-frequency filtering, and should be placed as close as possible to their associated  $V_{dd}$  or  $OV_{dd}$  pin. Suggested values for the  $V_{dd}$  pins  $220\ \text{pF}$  (ceramic),  $0,01\ \mu\text{F}$  (ceramic) and  $0,1\ \mu\text{F}$  (ceramic). Suggested values for the  $OV_{dd}$  pins  $0,01\ \mu\text{F}$  (ceramic),  $0,1\ \mu\text{F}$  (ceramic), and  $10\ \mu\text{F}$  (tantalum). Only SMT (surface mount technology) capacitors should be used to minimize lead inductance.

In addition, it is recommended that there be several bulk storage capacitors distributed around the PCB, feeding the  $V_{dd}$  and  $OV_{dd}$  planes, to enable quick recharging of the smaller chip capacitors. These bulk capacitors should also have a low ESR (equivalent series resistance) rating to ensure the quick response time necessary. They should also be connected to the power and ground planes through two vias to minimize inductance. Suggested bulk capacitors  $100\ \mu\text{F}$  (AVX TPS tantalum) or  $330\ \mu\text{F}$  (AVX TPS tantalum).

### Connection Recommendations

To ensure reliable operation, it is highly recommended to connect unused inputs to an appropriate signal level. Unused active low inputs should be tied to  $V_{dd}$ . Unused active high inputs should be connected to GND. ALL NC (no-connect) signals must remain unconnected.

Power and ground connections must be made to all external  $V_{dd}$ ,  $OV_{dd}$ , and GND pins of the 603e.

### Pull-up Resistor Requirements

The 603e requires high-resistive (weak:  $10\ \text{K}\Omega$ ) pull-up resistors on several control signals of the bus interface to maintain the control signals in the negated state after they have been actively negated and released by the 603e or other bus master. These signals are:  $\overline{\text{TS}}$ ,  $\overline{\text{ABB}}$ ,  $\overline{\text{DBB}}$ , and  $\overline{\text{ARTRY}}$ .

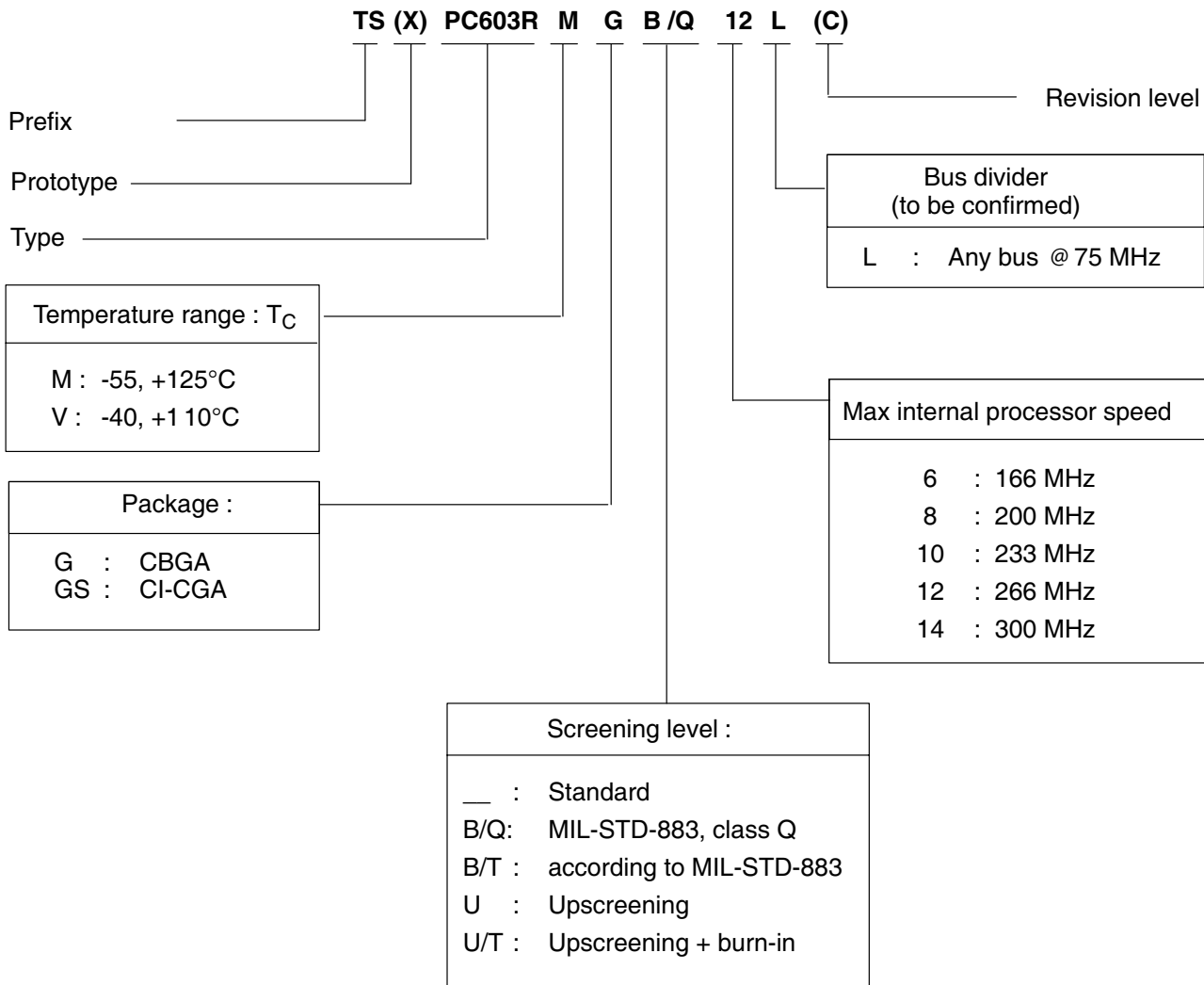


In addition, the 603e has three open-drain style outputs that require pull-up resistors (weak or stronger: 4.7 KΩ - 10 KΩ) if they are used by the system. These signals are:  $\overline{APE}$ ,  $\overline{DPE}$ , and  $\overline{CKSTP\_OUT}$ .

During inactive periods on the bus, the address and transfer attributes on the bus are not driven by any master and may float in the high-impedance state for relatively long periods of time. Since the 603e must continually monitor these signals for snooping, this float condition may cause excessive power draw by the input receivers on the 603e. It is recommended that these signals be pulled up through weak (10 KΩ) pull-up resistors or restored in some manner by the system. The snooped address and transfer attribute inputs are: A[0-3], AP[0-3], TT[0-4],  $\overline{TBST}$ , and  $\overline{GBL}$ .

The data bus input receivers are normally turned off when no read operation is in progress and do not require pull-up resistors on the data bus.

## Ordering Information



Note: For availability of the different versions, contact your ATMEL-Grenoble sales office.



## **Atmel Headquarters**

### **Corporate Headquarters**

2325 Orchard Parkway  
San Jose, CA 95131  
TEL (408) 441-0311  
FAX (408) 487-2600

### **Europe**

Atmel SarL  
Route des Arsenaux 41  
Casa Postale 80  
CH-1705 Fribourg  
Switzerland  
TEL (41) 26-426-5555  
FAX (41) 26-426-5500

### **Asia**

Atmel Asia, Ltd.  
Room 1219  
Chinachem Golden Plaza  
77 Mody Road Tsimhatsui  
East Kowloon  
Hong Kong  
TEL (852) 2721-9778  
FAX (852) 2722-1369

### **Japan**

Atmel Japan K.K.  
9F, Tonetsu Shinkawa Bldg.  
1-24-8 Shinkawa  
Chuo-ku, Tokyo 104-0033  
Japan  
TEL (81) 3-3523-3551  
FAX (81) 3-3523-7581

## **Atmel Product Operations**

### **Atmel Colorado Springs**

1150 E. Cheyenne Mtn. Blvd.  
Colorado Springs, CO 80906  
TEL (719) 576-3300  
FAX (719) 540-1759

### **Atmel Grenoble**

Avenue de Rochepleine  
BP 123  
38521 Saint-Egreve Cedex, France  
TEL (33) 4-7658-3000  
FAX (33) 4-7658-3480

### **Atmel Heilbronn**

Theresienstrasse 2  
POB 3535  
D-74025 Heilbronn, Germany  
TEL (49) 71 31 67 25 94  
FAX (49) 71 31 67 24 23

### **Atmel Nantes**

La Chantrerie  
BP 70602  
44306 Nantes Cedex 3, France  
TEL (33) 0 2 40 18 18 18  
FAX (33) 0 2 40 18 19 60

### **Atmel Rousset**

Zone Industrielle  
13106 Rousset Cedex, France  
TEL (33) 4-4253-6000  
FAX (33) 4-4253-6001

### **Atmel Smart Card ICs**

Scottish Enterprise Technology Park  
East Kilbride, Scotland G75 0QR  
TEL (44) 1355-357-000  
FAX (44) 1355-242-743

---

### **Fax-on-Demand**

North America:  
1-(800) 292-8635  
International:  
1-(408) 441-0732

### **e-mail**

[literature@atmel.com](mailto:literature@atmel.com)

### **Web Site**

<http://www.atmel.com>

### **BBS**

1-(408) 436-4309

### **© Atmel Corporation 2001.**

Atmel Corporation makes no warranty for the use of its products, other than those expressly contained in the Company's standard warranty which is detailed in Atmel's Terms and Conditions located on the Company's web site. The Company assumes no responsibility for any errors which may appear in this document, reserves the right to change devices or specifications detailed herein at any time without notice, and does not make any commitment to update the information contained herein. No licenses to patents or other intellectual property of Atmel are granted by the Company in connection with the sale of Atmel products, expressly or by implication. Atmel's products are not authorized for use as critical components in life support devices or systems.

Marks bearing ® and/or ™ are registered trademarks and trademarks of Atmel Corporation.

Terms and product names in this document may be trademarks of others.